



Operator's Manual

2-Cycle Gasoline Trimmer/Brushcutter Y780

SAVE THESE INSTRUCTIONS



For service call **1-800-345-8746** in the United States, or **1-800-668-1238** in Canada to obtain a list of authorized service dealers near you. For more details about your unit, visit our website at www.mtdproducts.com.

DO NOT RETURN THE UNIT TO THE RETAILER. PROOF OF PURCHASE WILL BE REQUIRED FOR WARRANTY SERVICE.

THIS PRODUCT IS COVERED BY ONE OR MORE U.S. PATENTS. OTHER PATENTS PENDING.

Service on this unit both within and after the warranty period should be performed only by an authorized and approved service dealer.

SPARK ARRESTOR NOTE

NOTE: For users on U.S. Forest Land and in the states of California, Maine, Oregon and Washington. All U.S. Forest Land and the state of California (Public Resources Codes 4442 and 4443), Oregon and Washington require, by law that certain internal combustion engines operated on forest brush and/or grass-covered areas be equipped with a spark arrestor, maintained in effective working order, or the engine be constructed, equipped and maintained for the prevention of fire. Check with your state or local authorities for regulations pertaining to these requirements. Failure to follow these requirements could subject you to liability or a fine. **This unit is factory equipped with a spark arrestor.** If it requires replacement, ask your LOCAL SERVICE DEALER to install the **Accessory Part #753-05169 Spark Arrestor Kit.**

CALIFORNIA PROPOSITION 65 WARNING

	WARNING	
<p>THE ENGINE EXHAUST FROM THIS PRODUCT CONTAINS CHEMICALS KNOWN TO THE STATE OF CALIFORNIA TO CAUSE CANCER, BIRTH DEFECTS OR OTHER REPRODUCTIVE HARM.</p>		

All information, illustrations, and specifications in this manual are based on the latest product information available at the time of printing. We reserve the right to make changes at any time without notice.

Copyright© 2005 MTD SOUTHWEST INC, All Rights Reserved.

TABLE OF CONTENTS

Service Information	1
Rules for Safe Operation	2
Oil and Fuel Information	3
Assembly Instructions	4
Know Your Unit	4
Starting/Stopping Instructions	7
Operating Instructions	8
Maintenance and Repair Instructions	9
Cleaning and Storage	13
Troubleshooting Chart	14
Specifications	15
Warranty Information	17, 18
Parts List	E18



WARNING: When using the unit, you must follow the safety rules. Please read these instructions before operating the unit in order to ensure the safety of the operator and any bystanders. Please keep these instructions for later use.

RULES FOR SAFE OPERATION

• IMPORTANT SAFETY INSTRUCTIONS •

READ ALL INSTRUCTIONS BEFORE OPERATING

- Read the instructions carefully. Be familiar with the controls and proper use of the unit.
- Do not operate this unit when tired, ill or under the influence of alcohol, drugs or medication.
- Children under the age of 15 must not use the unit; teens may operate the unit with adult guidance.
- Inspect the unit before use. Replace damaged parts. Check for fuel leaks. Make sure all fasteners are in place and secure. Replace cutting attachment parts that are cracked, chipped or damaged in any way. Make sure the cutting attachment is properly installed and securely fastened. Be sure that the cutting attachment shield is properly attached, and positioned as recommended. Failure to do so can result in personal injury to the operator and bystanders, as well as damage to the unit.
- Use only 0.095-inch (2.41 mm) diameter original equipment manufacturer replacement line. Never use metal-reinforced line, wire, chain or rope. These can break off and become dangerous projectiles.
- Be aware of risk of injury to the head, hands and feet.
- Squeeze the throttle control and check that it returns automatically to the idle position. Make all adjustments or repairs before using the unit.
- Clear the area to be cut before each use. Remove rocks, broken glass, nails, wire, string and other objects which may be thrown or become entangled in the cutting attachment. Clear the area of children, bystanders and pets; keep them outside a 50-foot (15 m.) radius, at a minimum. Even then, they are still at risk from thrown objects. Encourage bystanders to wear eye protection. If you are approached, stop the unit immediately.

SAFETY WARNINGS FOR GAS UNITS



WARNING: Gasoline is highly flammable, and its vapors can explode if ignited. Take the following precautions:

- Add fuel in a clean, well-ventilated outdoor area where there are no sparks or flames. Remove the fuel cap slowly, and only after the engine stops. Do not smoke while fueling or mixing fuel. Wipe up any spilled fuel from the unit immediately.
- Store fuel only in containers specifically designed and approved for the storage of such materials.
- Always stop the engine and allow it to cool before filling the fuel tank. Never remove the fuel tank cap or add fuel when the engine is hot. Never operate the unit without the fuel cap securely in place. Loosen the fuel tank cap slowly to relieve any pressure in the tank.
- Avoid creating a source of ignition for spilled fuel. Do not start the engine until fuel vapors dissipate.
- Move the unit at least 30 feet (9.1 m) from the fueling source and site before starting the engine. Do not smoke. Keep sparks and open flames away from the area while adding fuel or operating the unit.

WHILE OPERATING

- Never start or run the unit inside a closed room or building. Breathing exhaust fumes can be fatal. Operate this unit only in a well-ventilated outdoor area.
- Wear safety glasses or goggles that meet ANSI Z87.1 standards and are marked as such. Wear ear/hearing protection when operating this unit. Wear a face or dust mask if the operation is dusty.
- Wear heavy long pants, boots, gloves and a long sleeve shirt. Do not wear loose clothing, jewelry, short pants, sandals or go barefoot. Secure hair above shoulder level.
- The cutting attachment shield must always be in place while operating the unit as a trimmer. Do not operate unit without both trimming lines extended, and the proper line installed. Do not extend the trimming line beyond the length of the shield.
- This unit has a clutch. The cutting attachment remains stationary when the engine is idling. If it does not, have the unit adjusted by an authorized service technician.
- Adjust the bull-horn handlebar to your size in order to provide the best grip.
- Be sure the cutting attachment is not in contact with anything before starting the unit.

- Use the unit only in daylight or good artificial light.
- Avoid accidental starting. Be in the starting position whenever pulling the starter rope. Both the operator and unit must be in a stable position while starting. Refer to the Starting/Stopping Instructions.
- Use the right tool. Only use this tool for its intended purpose.
- Do not overreach. Always keep proper footing and balance.
- Always hold the unit with both hands when operating. Keep a firm grip on both handles or grips.
- Keep hands, face, and feet at a distance from all moving parts. Do not touch or try to stop the cutting attachment when it rotates.
- Do not touch the engine, gear housing or muffler. These parts get extremely hot from operation, even after the unit is turned off.
- Do not operate the engine faster than the speed needed to cut, trim or edge. Do not run the engine at high speed when not cutting.
- Always stop the engine when cutting is delayed or when walking from one cutting location to another.
- If you strike or become entangled with a foreign object, stop the engine immediately and check for damage. Do not operate before repairing damage. Do not operate the unit with loose or damaged parts.
- Stop the unit, switch the engine to off, and disconnect the spark plug for maintenance or repair.
- Use only original equipment manufacturer replacement parts and accessories for this unit. These are available from your authorized service dealer. Use of any non-original factory parts or accessories could lead to serious injury to the user, or damage to the unit, and void your warranty.
- Keep unit clean of vegetation and other materials. They may become lodged between the cutting attachment and shield.
- To reduce fire hazard, replace a faulty muffler and spark arrestor. Keep the engine and muffler free from grass, leaves, excessive grease or carbon build up.

WHILE OPERATING WITH CUTTING BLADE

- Read and understand all safety warnings before operating this unit.
- Always use the shoulder harness when using the brush blade accessory.
- Keep the bull-horn handlebar between the operator and cutting attachment or blade at all times.
- NEVER cut when the cutting blade is 30 inches (76 cm) or more above the ground level.
- Blade thrust may occur when the spinning blade contacts an object that it does not immediately cut. Blade thrust can be violent enough to propel the unit and/or operator in any direction, possibly causing a loss of control. Blade thrust can occur without warning if the blade snags, stalls or binds. This is more likely to occur in areas where it is difficult to see the material being cut.
- For operation with the brush blade, do not cut anything thicker than 1/2 inch or a violent kickback could occur.
- Do not attempt to touch or stop the blade when it is rotating.
- A coasting blade can cause injury while it continues to spin after the engine is stopped or the throttle trigger is released. Maintain proper control until the blade has completely stopped rotating.
- Do not run the unit at high speed when not cutting.
- If you strike or become entangled with a foreign object, stop the engine immediately and check for damage. Have any damage repaired before attempting further operations. Do not operate unit with a bent, cracked or dull blade. Discard blades that are bent, warped, cracked or broken.
- Do not sharpen the cutting blade. Sharpening the blade can cause the blade tip to break off while in use. This can result in severe personal injury. Replace the blade.
- Do not use the cutting blade for edging or as an edger; severe personal injury to yourself or others may incur. Use the cutting blade only for the purpose as described in this manual.
- Stop the engine IMMEDIATELY if you feel excessive vibration. Vibration is a sign of trouble. Inspect thoroughly for loose nuts, bolts or damage before continuing. Repair or replace affected parts as necessary.

AFTER USE

- Clean cutting blades with a household cleaner to remove any gum buildup. Oil the blade with machine oil to prevent rust.
- Lock up and store the cutting blade in an appropriate area to protect

RULES FOR SAFE OPERATION

the blade from unauthorized use or damage.

OTHER SAFETY WARNINGS

- Never store a fueled unit inside a building where fumes may reach an open flame or spark.
- Allow the engine to cool before storing or transporting. Be sure to secure the unit while transporting.
- Store the unit in a dry area, locked up or up high to prevent unauthorized use or damage, out of the reach of children.

- Never douse or squirt the unit with water or any other liquid. Keep handles dry, clean and free from debris. Clean after each use, see Cleaning and Storage instructions.
- Keep these instructions. Refer to them often and use them to instruct other users. If you loan someone this unit, also loan them these instructions.

SAVE THESE INSTRUCTIONS


SAFETY AND INTERNATIONAL SYMBOLS

This operator's manual describes safety and international symbols and pictographs that may appear on this product. Read the operator's manual for complete safety, assembly, operating and maintenance and repair information.

SYMBOL	MEANING
	<ul style="list-style-type: none"> • SAFETY ALERT SYMBOL Indicates danger, warning or caution. May be used in conjunction with other symbols or pictographs.
	<ul style="list-style-type: none"> • WARNING - READ OPERATOR'S MANUAL Read the operator's manual(s) and follow all warnings and safety instructions. Failure to do so can result in serious injury to the operator and/or bystanders.
	<ul style="list-style-type: none"> • WEAR EYE AND HEARING PROTECTION WARNING: Thrown objects and loud noise can cause severe eye injury and hearing loss. Wear eye protection meeting ANSI Z87.1 standards and ear protection when operating this unit. Use a full face shield when needed.
	<ul style="list-style-type: none"> • HOT SURFACE WARNING Do not touch a hot muffler, gear housing or cylinder. You may get burned. These parts get extremely hot from operation. They remain hot for a short time after the unit is turned off.
	<ul style="list-style-type: none"> • UNLEADED FUEL Always use clean, fresh unleaded fuel
	<ul style="list-style-type: none"> • OIL Refer to operator's manual for the proper type of oil.
	<ul style="list-style-type: none"> • PRIMER BULB Push primer bulb, fully and slowly, 10 times.
	<ul style="list-style-type: none"> • BRUSHCUTTERS •REPLACE DULL BLADE Do not sharpen the cutting blade. Sharpening the blade can cause the blade tip to break off while in use. This can result in severe personal injury.

SYMBOL	MEANING
	<ul style="list-style-type: none"> • ON/OFF STOP CONTROL ON / START / RUN
	<ul style="list-style-type: none"> • ON/OFF STOP CONTROL OFF or STOP
	<ul style="list-style-type: none"> • KEEP BYSTANDERS AWAY WARNING: Keep all bystanders, especially children and pets, at least 50 feet (15 m) from the operating area.
	<ul style="list-style-type: none"> • CHOKE CONTROL <ol style="list-style-type: none"> 1. • FULL choke position 2. • PARTIAL choke position 3. • RUN choke position
	<ul style="list-style-type: none"> • THROWN OBJECTS AND ROTATING CUTTER CAN CAUSE SEVERE INJURY WARNING: Do not operate without the cutting attachment shield in place. Keep away from the rotating cutting attachment.
	<ul style="list-style-type: none"> • SHARP BLADE WARNING: Sharp blade on cutting attachment shield. To prevent serious injury, do not touch the line cutting blade.
	<ul style="list-style-type: none"> • TRIMMER/ BRUSHCUTTER SAFETY WARNING: Thrown objects and rotating cutter can cause severe injury. Keep bystanders, especially children and pets, at least 50 feet (15 m) away from the cutting area. The cutting attachment shield must be used when using the trimmer cutting attachment.

OIL AND FUEL INFORMATION



WARNING: Gasoline is extremely flammable. Ignited vapors may explode. Always stop the engine and allow it to cool before filling the fuel tank. Do not smoke while filling the tank. Keep sparks and open flames at a distance from the area.

OIL AND FUEL MIXING INSTRUCTIONS

Old and/or improperly mixed fuel are the main reasons for the unit not running properly. Be sure to use fresh (less than 60

days old), clean unleaded fuel. Follow the instructions carefully for the proper fuel/oil mixture.

To Obtain Correct Fuel Mix:

Thoroughly mix the proper ratio of 2-cycle engine oil with unleaded gasoline in a separate fuel can. Use a 40:1 fuel/oil ratio—one gallon (3.8 liters) of unleaded gasoline mixed with one 3.2 oz. (95 ml.) bottle of 2-cycle oil. Do not mix them directly in the engine fuel tank. See the Fuel Mixture Table for specific gas and oil mixing ratios.

OIL AND FUEL INFORMATION

CAUTION: For proper engine operation and maximum reliability, pay strict attention to the oil and fuel mixing instructions on the 2-cycle oil container. Using improperly mixed fuel can severely damage the engine.

WARNING: Remove fuel cap slowly to avoid injury from fuel spray. Never operate the unit without the fuel cap securely in place.

WARNING: Add fuel in a clean, well ventilated outdoor area. Wipe up any spilled fuel immediately. Avoid creating a source of ignition for spilt fuel. Do not start the engine until fuel vapors dissipate.

Using Fuel Additives

The bottle of 2-cycle oil that came with your unit contains a fuel additive which will help inhibit corrosion and minimize the formation of gum deposits. It is recommended that you use our 2-cycle oil with this unit.

If unavailable, use a good 2-cycle oil designed for air-cooled engines along with a fuel additive, such as STA-BIL® Gas Stabilizer or an equivalent. Add 0.8 oz. (23 ml.) of fuel additive per gallon of fuel according to the instructions on the container. NEVER add fuel additives directly to the unit's fuel tank.

NOTE: Dispose of the old fuel/oil mix in accordance to Federal, State and Local regulations.

Definition of Blended Fuels

Today's fuels are often a blend of gasoline and oxygenates such as ethanol, methanol, or MTBE (ether). Alcohol-blended fuel absorbs water. As little as 1% water in the fuel can make fuel and oil separate and leads to formation of acids during storage. When using alcohol-blended fuel, use fresh fuel.

+

UNLEADED GAS	2 CYCLE OIL
1 GALLON US (3.8 LITERS)	3.2 FL. OZ. (95 ml)
1 LITER	25 ml

MIXING RATIO - 40:1

Using Blended Fuels

If you choose to use a blended fuel, or its use is unavoidable, follow recommended precautions:

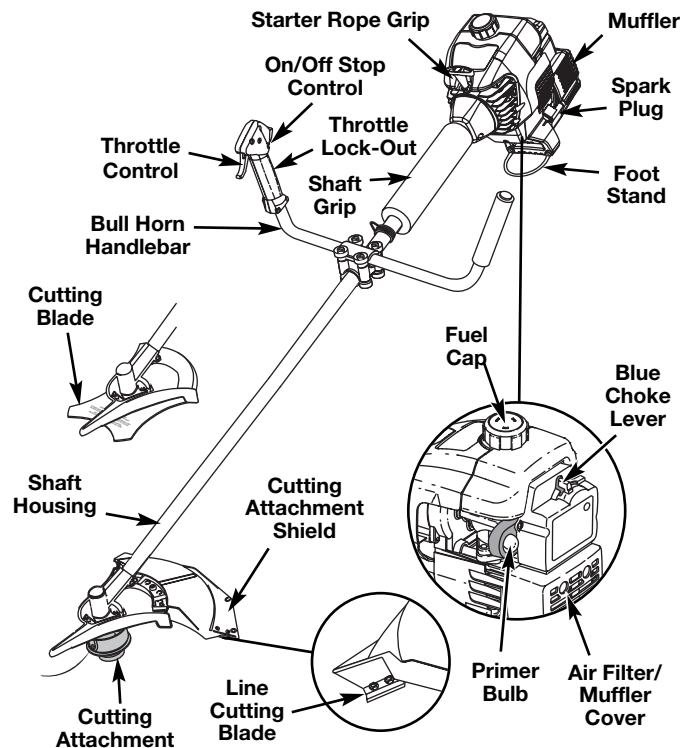
- Always use the fresh fuel mix explained in the operator's manual
- Always shake the fuel mix before fueling the unit
- Drain the tank and run the engine dry before storing the unit

Applications

As a trimmer, cutting grass and light weeds, and decorative trimming around trees, fences, etc.

As a brushcutter, cutting weeds and light bush of up to 13 mm (1/2 inch) in diameter

KNOW YOUR UNIT



ASSEMBLY INSTRUCTIONS

INSTALL AND ADJUST THE HANDLEBAR

1. Place the bull-horn handle between the top and middle clamp pieces (Fig. 1).

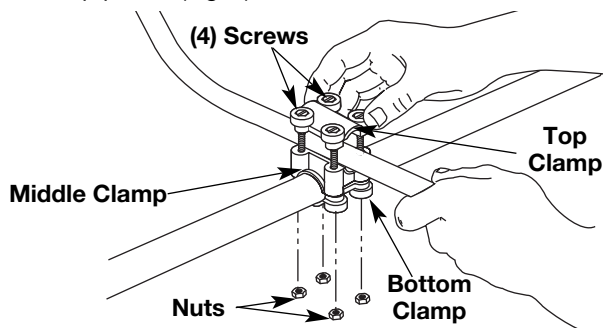


Fig. 1

2. While holding the three pieces together, install the four (4) screws through the top clamp and into middle clamp.

NOTE: The holes in the top and middle clamp will line up only when assembled correctly.

3. Place the clamps and the handlebar over the shaft housing and onto the bottom clamp.
4. Hold each hex nut in the bottom clamp recess with a finger. Start screws with a large Phillips screwdriver. Do not tighten until you make the handle adjustment.
5. While holding the unit in the operating position (Fig. 2), move the handlebar to the location that provides you the best grip.
6. Tighten the clamp screws evenly, until the handlebar is secure.



Fig. 2

ASSEMBLY INSTRUCTIONS

INSTALL THE HARNESS



WARNING: Always use the shoulder harness when using the cutting blade to avoid serious personal injury.

1. Push the strap through the center of the buckle.
2. Pull the strap over the cross bar and down through the slot in the buckle (Fig. 3).

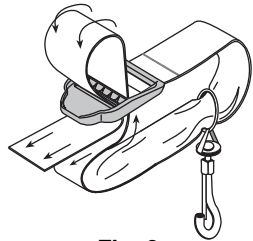


Fig. 3

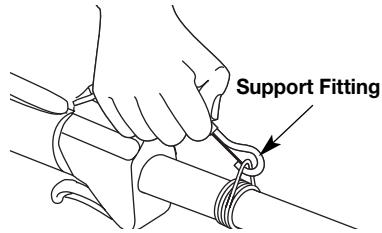


Fig. 4

3. Put the harness on over your head and onto your shoulder. Snap it on to the support fitting (Fig. 4).
4. Adjust the length to fit the operator's size. Pull the tab to lengthen, pull the strap to shorten (Fig 5).

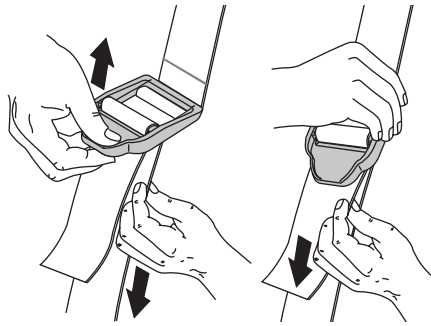


Fig. 5

REMOVE AND INSTALL THE CUTTING SHIELD

Remove the cutting attachment shield when using the unit as a brushcutter



WARNING: The cutting attachment shield should NOT be installed when operating the unit with a blade. Remove the cutting attachment shield before removing or installing the blade.

Remove the cutting attachment shield from the shield mount by removing the three (3) screws with a flat blade screwdriver (Fig. 6). Store parts for future use.

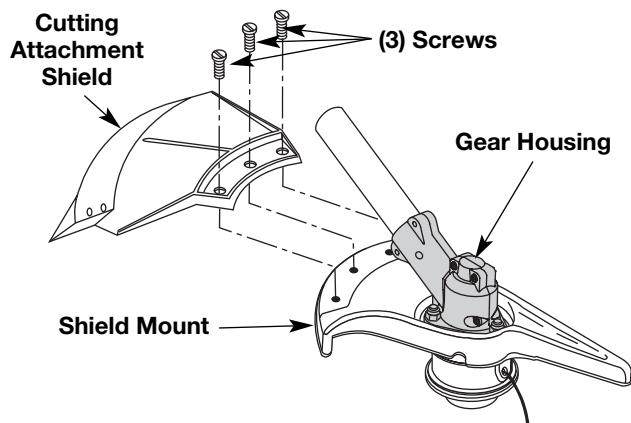


Fig. 6



WARNING: To avoid serious personal injury, the cutting attachment shield MUST be in place at all times while operating the unit as a grass trimmer.

Install the cutting attachment shield when using the unit as a grass trimmer

Install the cutting attachment shield on the shield mount by inserting the three (3) screws into the shield mount. Tighten securely with a flat blade screwdriver (Fig. 6).

REMOVE THE CUTTING ATTACHMENT AND INSTALL THE CUTTING BLADE



WARNING: The gear housing gets hot with use. It can result in injury to the operator. The housing remains hot for a short time even after the unit is turned off. Do not touch the gear housing until it has cooled.

NOTE: To make cutting blade removal and installation easier, place the unit on the ground or on a work bench.

Remove the Cutting Attachment Shield

See *Remove and Install the Cutting Attachment Shield*.

Remove the Cutting Attachment

1. Align the shaft bushing hole with the locking rod slot and insert the locking rod into the shaft bushing hole (Fig. 7).

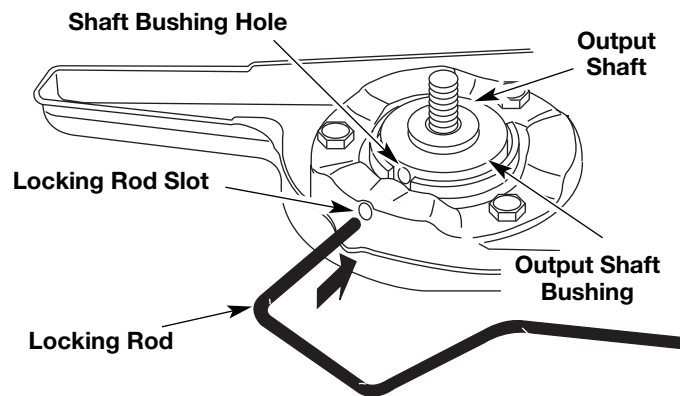


Fig. 7

2. Hold the locking rod in place by grasping it next to the boom of the unit (Fig. 8).
3. While holding the locking rod, remove the cutting attachment by turning it clockwise off of the output shaft (Fig. 9). Store the cutting attachment for future use.

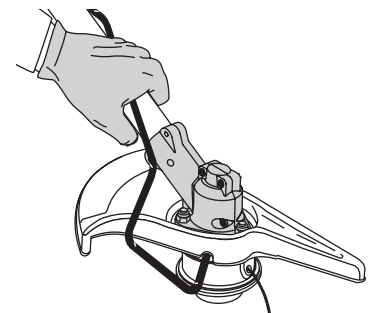


Fig. 8

NOTE: The blade retainer under the cutting attach-

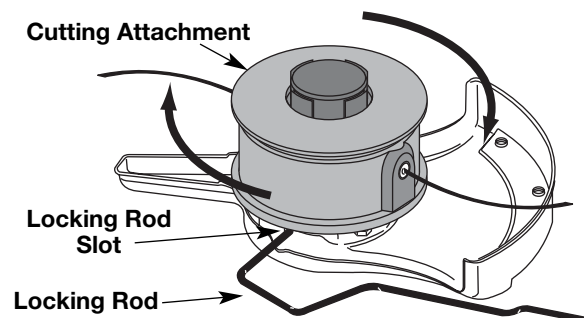


Fig. 9

ASSEMBLY INSTRUCTIONS



WARNING: To avoid serious personal injury, always wear gloves while handling or installing the blade.

ment will be used when installing the cutting blade.

Install the Cutting Blade

- Place the cutting blade on the output shaft bushing (Fig. 10).

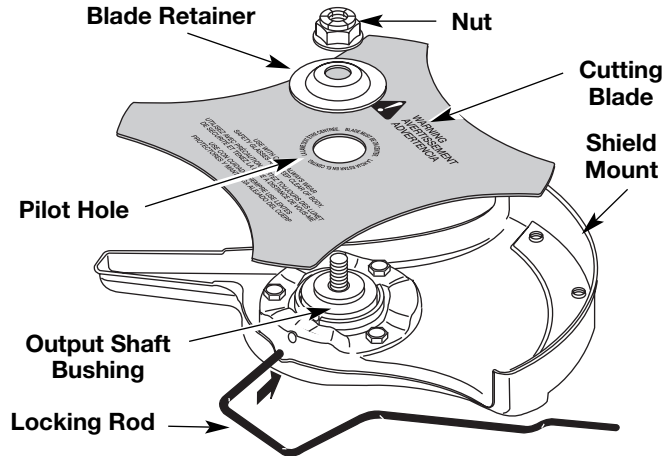


Fig. 10

- Make sure that the cutting blade is centered on the pilot step and sitting flat against the output shaft bushing (Fig. 11).



WARNING: If the cutting blade is off-center, the unit will vibrate and the blade may fly off, causing possible serious personal injury.

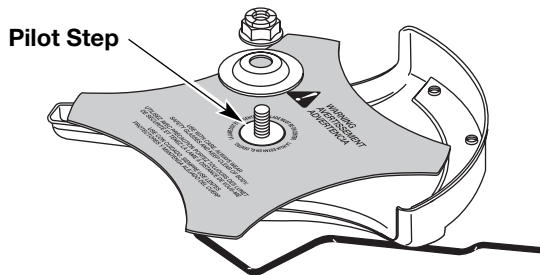


Fig. 11

- Align the shaft bushing hole with the locking rod slot and insert the locking rod into the bushing hole (Fig. 7).
- Put the blade retainer and nut on the output shaft. Make sure that the blade is installed correctly.
- Tighten nut counterclockwise against the blade while holding the locking rod:
 - If using a torque wrench and an 13 mm socket, tighten to: **37 - 38 N•m, 325 - 335 in•lb, 27 - 28 ft•lb.**
 - Without a torque wrench, use a 13 mm closed-end or socket wrench, turning the nut until the blade retainer is snug against the shaft bushing. Make sure that the blade is installed correctly, then rotate the nut an additional 1/4 to 1/2 turn counterclockwise (Fig. 12).
- Remove the locking rod from the locking rod slot.



WARNING: To avoid serious personal injury or damage to the unit, do not start or operate this unit with the locking rod in the locking rod slot.

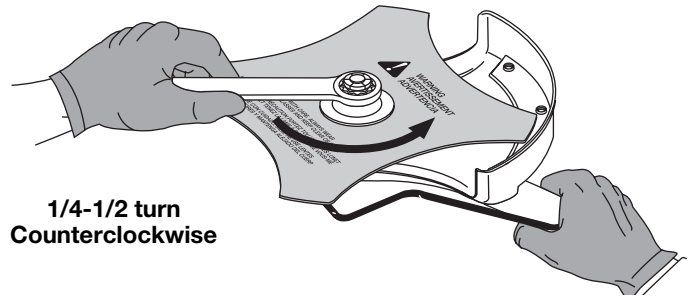


Fig. 12

REMOVE THE CUTTING BLADE AND INSTALL THE CUTTING ATTACHMENT



WARNING: Do not sharpen the cutting blade. Sharpening the blade can cause the blade tip to break off while in use. This can result in severe personal injury. Replace the blade.

Remove the Cutting Blade

- Align the shaft bushing hole with the locking rod slot and insert the locking rod into the bushing hole (Fig. 7).
- Hold the locking rod in place by grasping it next to the boom of the unit (Fig. 13).
- While holding the locking rod, loosen the nut on the blade by turning it clockwise with a 13 mm closed-end or socket wrench (Fig. 13).

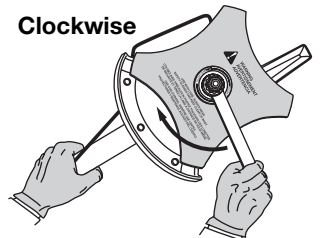


Fig. 13

- Remove the nut, blade retainer and blade. Store the nut and blade together for future use in a secure place. Store out of children's reach.

Install the Cutting Attachment

- Align the shaft bushing hole with the locking rod slot and insert the locking rod into the shaft bushing hole (Fig. 7). Place the blade retainer on the output shaft with the flat surface against the output shaft bushing as shown in Fig. 14. Screw the cutting attachment counterclockwise onto the output shaft. Tighten securely.

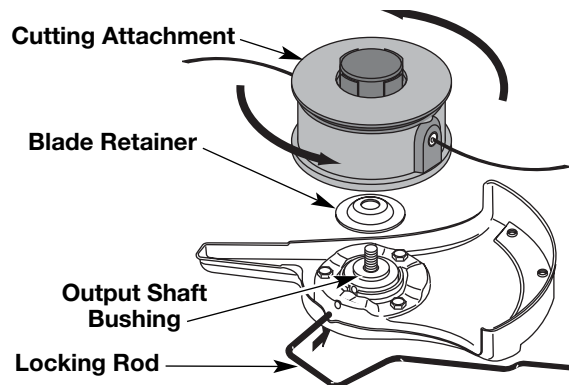


Fig. 14

NOTE: The blade retainer must be installed on the output shaft in the position shown for the cutting attachment to work correctly.

- Remove the locking rod.
- Install the cutting attachment shield. Refer to *Remove and Install the Cutting Attachment Shield*.

STARTING / STOPPING INSTRUCTIONS



WARNING: Operate this unit only in a well-ventilated outdoor area. Carbon monoxide exhaust fumes can be lethal in a confined area.



WARNING: Avoid accidental starting. Make sure you are in the starting position when pulling the starter rope (Fig. 17). To avoid serious injury, both the operator and unit must be in a stable position while starting.

STARTING INSTRUCTIONS

1. Mix gas with oil. Fill gas tank with gas/oil mixture. See *Oil and Gasoline Mixing Instructions*.
2. Verify the On/Off Stop Control is in the **ON (I)** position (Fig. 15).
3. Fully press and release the primer bulb 10 times, slowly. Some amount of gas should be visible in the primer bulb and gas lines (Fig. 16). If you can't see gas in the bulb, press and release the bulb as many times as it takes before you can see gas in it.
4. Place the blue choke lever in **Position 1** (Fig. 16).
5. With the unit on the ground, place one foot on the metal foot stand to hold the unit in place (Fig. 17). Press the throttle lock-out while you squeeze the throttle control. Pull the starter rope up to 5 times.
6. Place the blue choke lever in **Position 2** (Fig. 16).
7. While continuing to squeeze the throttle lock-out and throttle control, pull the starter rope briskly until the engine starts.
8. Keep squeezing the throttle lock-out and the throttle control for 15 to 30 seconds to warm up the engine.
9. Release the throttle control and throttle lock-out, and let idle.
10. Place the blue choke lever in **Position 3** (Fig. 16). The unit is ready for use.

IF... The engine does not start, go back to step 3.

IF... The engine fails to start after a few attempts, place the blue choke lever in **Position 3** and squeeze the throttle control. Pull the starter rope briskly 3 to 8 times. The engine should start. If not, repeat.

IF WARM... If the engine is already warm, make sure the On/Off Stop control is in the ON position and start the unit with the blue choke lever in **Position 2**. After the unit starts, move the blue choke lever to **Position 3**.

STOPPING INSTRUCTIONS

1. Release your hand from the throttle control. Allow the engine to cool down by idling.
2. Put the On/Off Stop Control in the OFF (O) position.

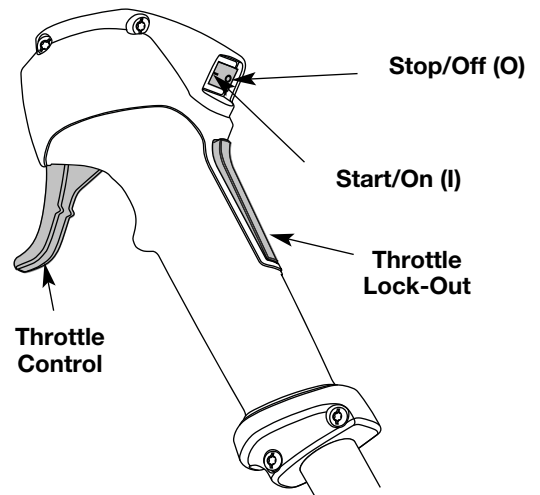


Fig. 15

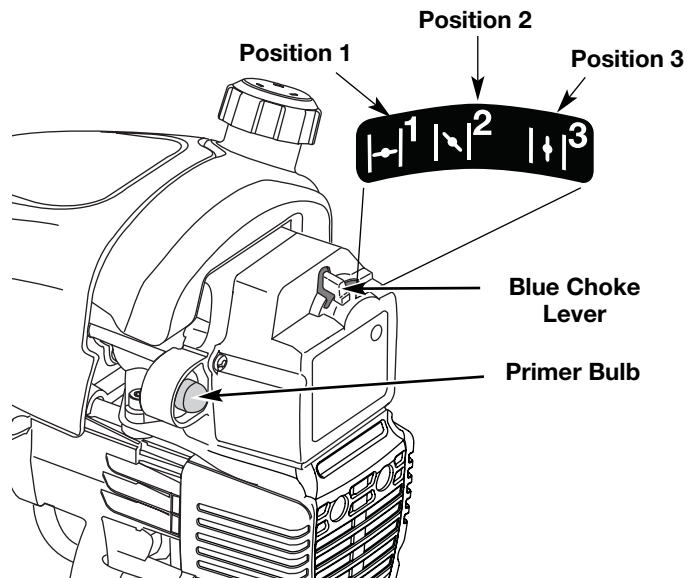


Fig. 16

Starting Position

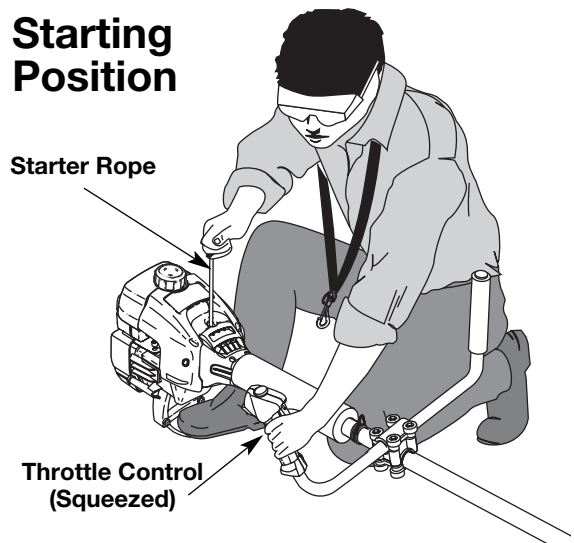


Fig. 17

OPERATING INSTRUCTIONS

HOLDING THE TRIMMER



WARNING: Always wear eye, hearing, foot and body protection to reduce the risk of injury when operating this unit.

Before operating the unit, stand in the operating position (Fig. 18).

Check for the following:

- The operator is wearing eye protection and proper clothing
- With a straight right arm, the operator's right hand is holding the shaft grip
- The operator's left arm is slightly-bent, the left hand holding the handle
- The unit is at waist level
- The cutting attachment is parallel to the ground and easily contacts the grass without the need to bend over



Fig. 18

Once you are in the operating position, hook the shoulder strap to the unit.

ADJUSTING TRIMMING LINE LENGTH

The Bump Head™ cutting attachment allows you to release trimming line without stopping the engine. To release more line, lightly tap the cutting attachment on the ground (Fig. 19) while operating the trimmer at high speed.

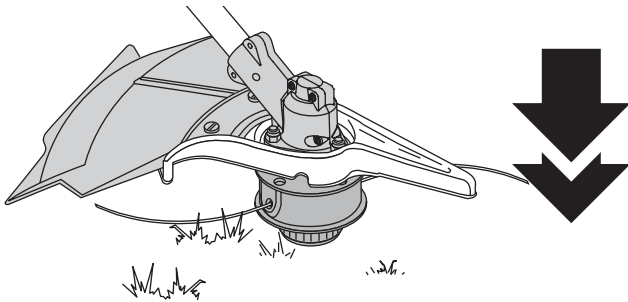


Fig. 19

NOTE: Always keep the trimming line fully extended. Line release becomes more difficult as the cutting line becomes shorter.

Each time the head is bumped, about 25.4 mm (1 inch) of trimming line is released. A blade in the cutting attachment shield will cut the line to the proper length if excess line is released.



CAUTION: Do not remove or alter the line cutting blade assembly. Excessive line length will make the clutch overheat. This may lead to serious personal injury or damage to the unit.

For best results, tap the Bump Head™ on bare ground or hard soil. If line release is attempted in tall grass, the engine may stall. Always keep the trimming line fully extended. Line release becomes more difficult as the cutting line becomes shorter.

NOTE: Do not rest the Bump Head™ on the ground while the unit is running.

Some line breakage will occur from:

- Entanglement with foreign matter
- Normal line fatigue
- Attempting to cut thick, stalky weeds
- Forcing the line into objects such as walls or fence posts

TIPS FOR BEST TRIMMING RESULTS

- For best trimming results, operate unit at full throttle.
- Keep the cutting attachment parallel to the ground.
- Do not force the cutting attachment. Allow the tip of the line to do the cutting, especially along walls. Cutting with more than the tip will reduce cutting efficiency and may overload the engine.
- Cut grass over 203mm (8 inches) by working from top to bottom in small increments to avoid premature line wear or engine drag.
- Cut from left to right whenever possible. Cutting to the right improves the unit's cutting efficiency. Clippings are thrown away from the operator.
- Slowly move the trimmer into and out of the cutting area at the desired height. Move either in a forward-backward or side-to-side motion. Cutting shorter lengths produces the best results.
- Trim only when grass and weeds are dry.
- The life of your cutting line is dependent upon:
 - Proper adherence of trimming techniques (explained above)
 - What vegetation is cut
 - Where vegetation is cut

For example, the line will wear faster when trimming against a foundation wall as opposed to trimming around a tree.

DECORATIVE TRIMMING

Decorative trimming is accomplished by removing all vegetation around trees, posts, fences and more.

Rotate the whole unit so that the cutting attachment is at a 30° angle to the ground (Fig. 20).

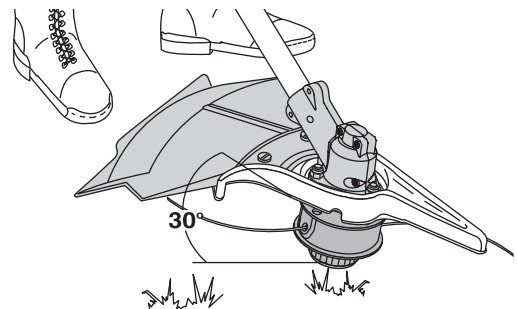


Fig. 20

USING THE CUTTING BLADE



WARNING: Always wear eye, hearing, foot, body protection and the shoulder strap to reduce the risk of injury when operating this unit.



WARNING: Do not use the cutting blade for edging or as an edger. Severe personal injury to yourself or others can result.

Before operating the unit with the cutting blade, stand in the operating position (Fig. 21). Refer to *Holding the Trimmer*.

OPERATING INSTRUCTIONS

Cutting Blade Operating Tips

To establish a rhythmic cutting procedure:

- Plant feet firmly, comfortably apart.
- Bring the engine to full throttle before entering the material to be cut. At full throttle the blade has maximum cutting power and is less likely to bind, stall or cause blade thrust (which can result in serious personal injury to the operator or others).

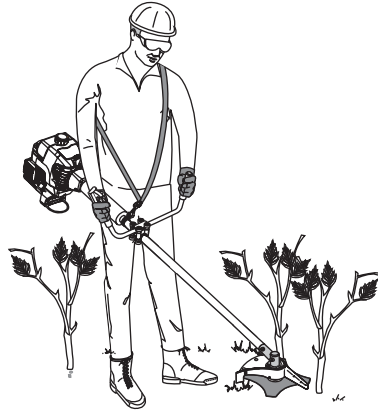


Fig. 21

- Swing the unit in the opposite direction as the blade spins, which increases the cutting action.
- After the return swing, move forward to the next area to be cut plant your feet again.
- The cutting blade is designed with a second cutting edge. You can use it by removing the blade, turning it upside down, and reinstalling it.

WARNING: Do not sharpen the cutting blade. Sharpening the blade can cause the blade tip to break off while in use. This can result in severe personal injury to yourself or others. Replace the blade.

To reduce the chance of material wrapping around the blade, follow these steps:

- Cut at full throttle
- Swing the unit into material to be cut from your left to your right (Fig. 22)

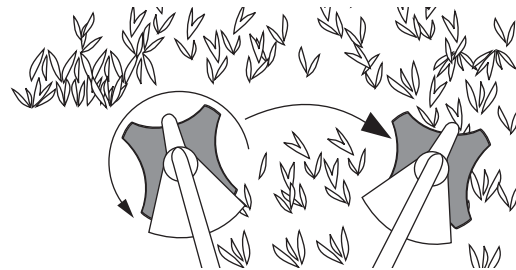


Fig. 22

- Avoid the material just cut as you make the return swing

CAUTION: Blade thrust may occur when the spinning blade contacts an object that it does not immediately cut. Blade thrust can be violent enough to cause the unit and/or operator to be propelled in any direction, and possibly lose control of the unit. Blade thrust can occur without warning if the blade snags, stalls or binds. This is more likely to occur in areas where it is difficult to see the material being cut.

- Cut while swinging the upper part of your body from left to right
- Always release the throttle trigger and allow the engine to return to idle speed when not cutting.

WARNING: The blade continues to spin after the engine is turned off. The coasting blade can seriously cut you if accidentally touched.

- When you are finished, always unsnap the unit from the harness before taking off the harness.

CAUTION: Do not clear away any cut material with the engine running or blade turning. To avoid serious personal injury, turn off the engine. Allow the blade to stop before removing materials wrapped around the blade shaft.

MAINTENANCE AND REPAIR INSTRUCTIONS

MAINTENANCE SCHEDULE

Perform these required maintenance procedures at the frequency stated in the table. These procedures should also be a part of any seasonal tune-up.

NOTE: Some maintenance procedures may require special tools or skills. If you are unsure about these procedures take your unit to any non-road engine repair establishment, individual or authorized service dealer.

NOTE: Maintenance, replacement, or repair of the emission control devices and system may be performed by any non-road engine repair establishment, individual or authorized service dealer.

In order to assure peak performance of your engine, inspection of the engine exhaust port may be necessary after 50 hours of operation. If you notice lost RPM, poor performance or general lack of acceleration, this service may be required. If you feel your engine is in need of this inspection, refer service to any non-road engine repair establishment, individual or authorized service dealer for repair. **DO NOT** attempt to perform this process yourself as engine damage may result from contaminants involved in the cleaning process for the port.

WARNING: To prevent serious injury, never perform maintenance or repairs with unit running. Always service and repair a cool unit. Disconnect the spark plug wire to ensure that the unit cannot start.


FREQUENCY	MAINTENANCE REQUIRED	REFER TO
Before starting engine	Fill fuel tank with fresh fuel	Page 3, 4
Every 10 hours	Clean and re-oil air filter	Page 11
Every 25 hours	Check and clean spark arrestor Check spark plug condition and gap	Page 12 Page 13
Every 50 hours	Inspect exhaust port and spark arrestor screen for clogging or obstruction to assure maximum performance levels	Page 12

MAINTENANCE AND REPAIR INSTRUCTIONS

LINE INSTALLATION

This section covers both SplitLine™ and standard single line installation.

Always use original equipment manufacturer 2.41 mm (0.095 inch) replacement line. Line other than the specified may make the engine overheat or fail.



WARNING: Never use metal-reinforced line, wire, chain or rope. These can break off and become dangerous projectiles.

There are two methods to replace the trimming line:

- Wind the inner reel with new line
- Install a prewound inner reel

Winding the Existing Inner Reel

1. Hold the outer spool with one hand and unscrew the Bump Knob clockwise (Fig. 23). Inspect the bolt inside the bump knob to make sure it moves freely. Replace the bump knob if damaged.

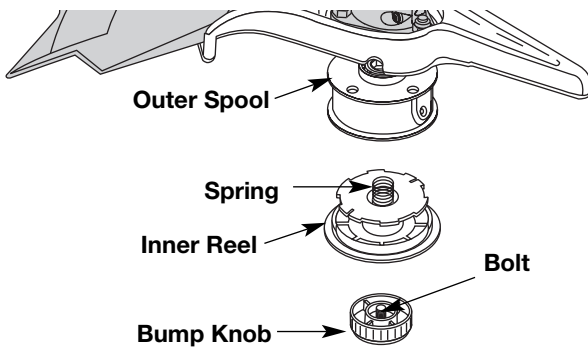


Fig. 23

2. Remove the inner reel from the outer spool (Fig. 23).
3. Remove spring from the inner reel (Fig. 23).
4. Use a clean cloth to clean the the inner reel, spring, shaft and inner surface of the outer spool (Fig. 24).
5. Check the indexing teeth on the inner reel and outer spool for wear (Fig. 25). If necessary, remove burrs or replace the reel and spool.

NOTE: SplitLine™ can only be used with the inner reel with the slotted holes. Single line can be used on either type of inner reel. Use Figure 26 to identify the inner reel you have.

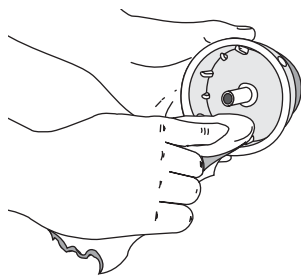


Fig. 24

Indexing Teeth

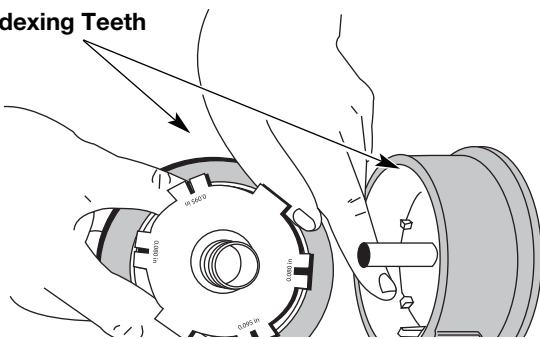
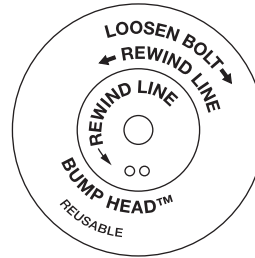


Fig. 25

For Use with Single Line ONLY



For Use with SplitLine™ or Single Line

Slotted Holes

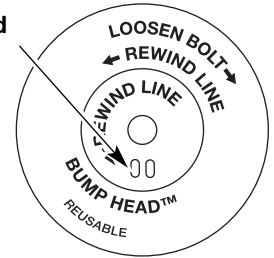


Fig. 26

NOTE: Always use the correct line length when installing trimming line on the unit. The line may not release properly if the line is too long.

Single Line Installation

Go To Step 8 for SplitLine™ Installation

6. Take approximately 5 m (16 feet) of new trimming line, loop it into two equal lengths. Insert each end of the line through one of the two holes in the inner reel (Fig. 27). Pull the line through the inner reel so that the loop is as small as possible.

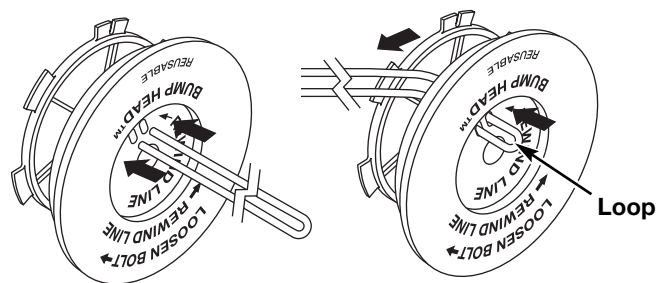


Fig. 27

7. Wind the lines in tight even layers, onto the reel (Fig. 28). Wind the line in the direction indicated on the inner reel. Place your index finger between the two lines to stop the lines from overlapping. Do not overlap the ends of the line. Proceed to step 12.

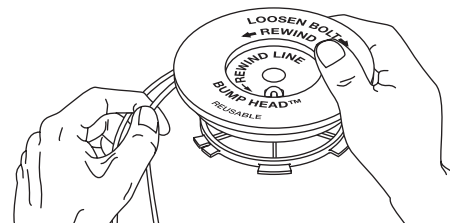


Fig. 28

SplitLine™ Installation

8. Take approximately 2.5 m (8 feet) of new trimming line. Insert one end of the line through one of the two holes in the inner reel (Fig. 29). Pull the line through the inner reel until only about 4 inches is left out.
9. Insert the end of the line into the open hole in the inner reel and pull the line tight to make the loop as small as possible (Fig. 29).
10. Before winding, split the line back about 6 inches.
11. Wind the line in tight even layers in the direction indicated on the inner reel.

MAINTENANCE AND REPAIR INSTRUCTIONS

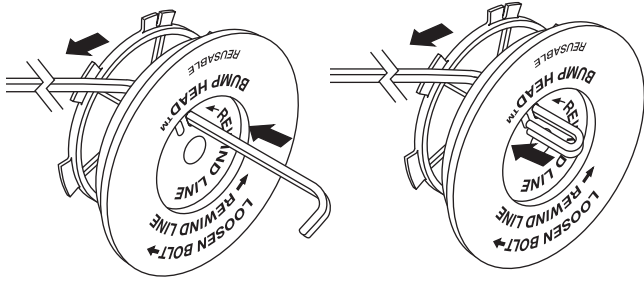


Fig. 29

NOTE: Failure to wind the line in the direction indicated will cause the cutting attachment to operate incorrectly.

12. Insert the ends of the line into the two holding slots (Fig. 30).

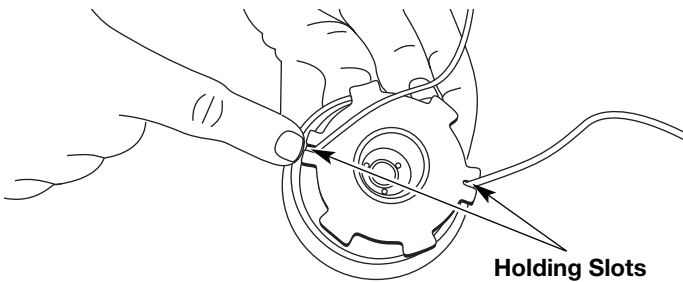


Fig. 30

13. Insert the ends of the line through the eyelets in the outer spool and place inner reel with spring inside the outer spool (Fig. 31). Push the inner reel and outer spool together. While holding the inner reel and outer spool, grasp the ends and pull firmly to release the line from the holding slots in the reel.

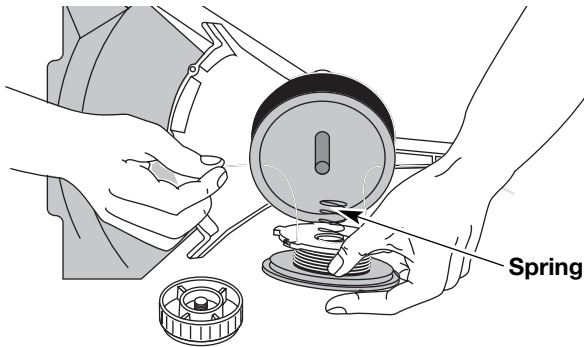


Fig. 31

NOTE: The spring must be assembled on the inner reel before reassembling the cutting attachment.

14. Hold the inner reel in place and install the bump knob by turning counterclockwise. Tighten securely.

INSTALLING A PREWOUND REEL

1. Hold the outer spool with one hand and unscrew the bump knob clockwise (Fig. 23). Inspect the bolt inside the bump knob to make sure it moves freely. Replace the bump knob if damaged.
2. Remove the old inner reel from the outer spool (Fig. 23).
3. Remove the spring from the old inner reel (Fig. 23).
4. Place the spring in the new inner reel.

NOTE: The spring must be assembled on the inner reel before reassembling the cutting attachment.

5. Insert the ends of the line through the eyelets in the outer spool (Fig. 31).

6. Place the new inner reel inside the outer spool. Push the inner reel and outer spool together. While holding the inner reel and outer spool, grasp the ends and pull firmly to release the line from the holding slots in the spool.
7. Hold the inner reel in place and install the bump knob by turning counterclockwise. Tighten securely.

AIR FILTER MAINTENANCE

Removing the Air Filter/Muffler Cover

1. Place the choke lever in Position 2.

NOTE: The choke lever must be in Position 2 (Fig. 32) to remove the air filter/ muffler cover.

2. Remove the four (4) screws securing the air filter/muffler cover (Fig. 32). Use a flat blade or T20 Torx bit screwdriver.



WARNING: To prevent serious personal injury, always turn your trimmer off and allow it to cool before you clean or service it.

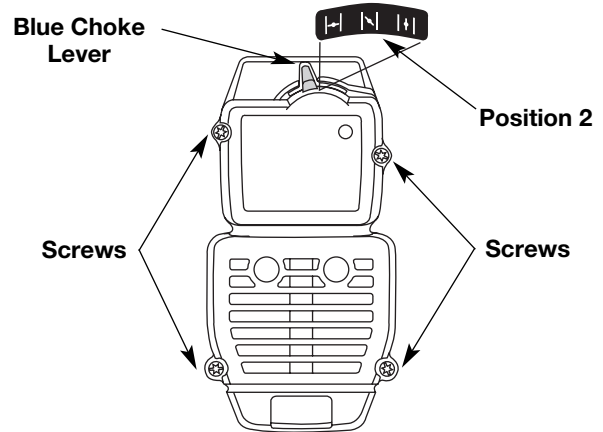


Fig. 32

3. Pull the cover from the engine. Do not force.

Cleaning the Air Filter

Clean and re-oil the air filter every 10 hours of operation. It is an important item to maintain. Failure to maintain the air filter will VOID the warranty.

1. Remove air filter/muffler cover. Refer to *Removing the Air Filter/Muffler Cover*.
2. Turn cover over and look inside to locate the air filter. Remove the air filter from inside the air filter/muffler cover (Fig. 33).
3. Wash the filter in detergent and water (Fig. 34). Rinse the filter thoroughly. Squeeze out excess water. Allow to dry completely.

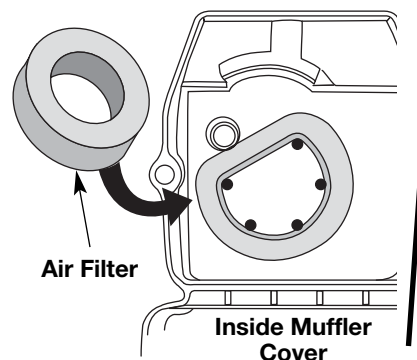


Fig. 33

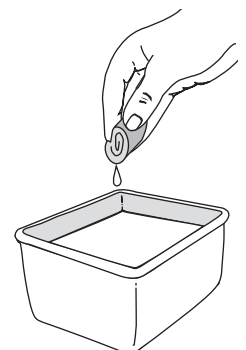


Fig. 34

MAINTENANCE AND REPAIR INSTRUCTIONS

- Apply enough clean SAE 30 oil to lightly coat the filter (Fig. 35).
- Squeeze the filter to spread and remove excess oil (Fig. 36).

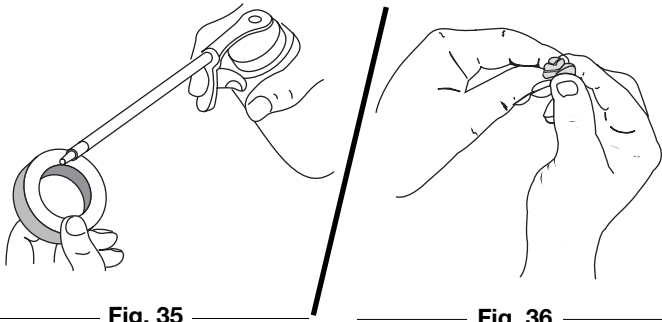


Fig. 35

Fig. 36

- Replace the air filter inside the air filter/muffler cover (Fig. 33).

NOTE: Operating the unit without the air filter and air filter/muffler cover assembly will VOID the warranty.

Reinstalling the Air Filter/Muffler Cover

- Place the air filter/muffler cover over the back of the carburetor and muffler. Align the screw holes.
- Insert the four (4) screws into the holes in the air filter/muffler cover (Fig. 32) and tighten. **Do not over tighten.**

SPARK ARRESTOR MAINTENANCE

- Remove air filter/muffler cover. Refer to *Removing the Air Filter/Muffler Cover*.
- Locate the muffler, but do not remove it. Find the screw on the bottom of the muffler (Fig. 37). Remove the screw using either a torx #20 or flat blade screwdriver.

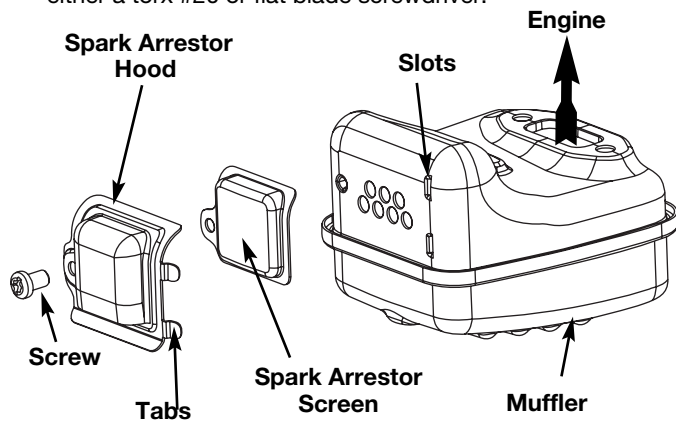


Fig. 37

- Carefully pry up the left side spark arrestor hood. Two tabs act as hinges on the right side of the hood. Flip open the spark arrestor hood like a door and then pull its tabs out of the muffler slots.
- Using a small flat blade screwdriver, carefully pry the spark arrestor screen out from the inside of the spark arrestor hood.
- Clean the spark arrestor screen with a wire brush. Replace it if it is damaged, or if you are unable to clean it thoroughly.
- Reinstall the spark arrestor screen snugly back into the spark arrestor hood.
- Reinstall the two hood tabs into the two muffler slots and flip the spark arrestor hood closed.
- Replace the screw you removed in Step 2 and tighten it securely.
- Reinstall the air filter/muffler cover.

CARBURETOR ADJUSTMENT

The idle speed of the engine is adjustable through the air filter/muffler cover (Fig. 38).

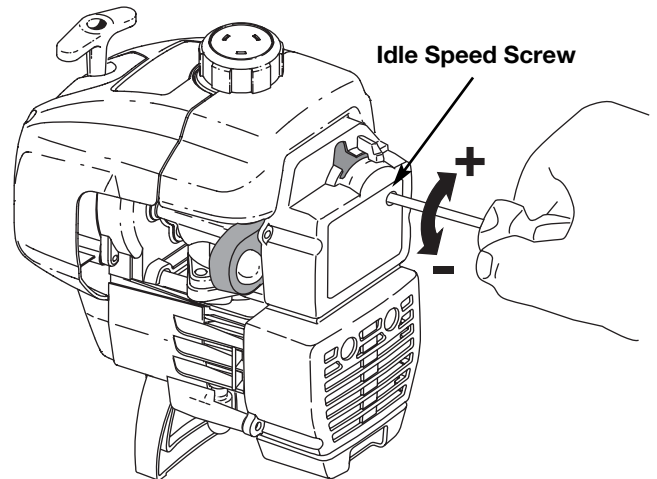


Fig. 38

NOTE: Careless adjustments can seriously damage your unit. An authorized service dealer should make carburetor adjustments.

Check Gasoline Mixture

Old and/or improperly mixed gasoline is usually the reason for improper unit performance. Drain and refill the tank with fresh, properly-mixed gasoline prior to making any adjustments. Refer to *Oil and Gasoline Information*.

Clean Air Filter

The condition of the air filter is important to the operation of the unit. A dirty air filter will restrict air flow and change the air/gasoline mixture. This is often mistaken for an out of adjustment carburetor. Check the condition of the air filter before adjusting the idle speed screw. Refer to *Air Filter Maintenance*.

Adjust Idle Speed Screw

If, after checking the gasoline mixture and cleaning the air filter, the engine still will not idle, adjust the idle speed screw as follows:

- Start the engine and let it run at a high idle for a minute to warm up. Refer to *Starting/Stopping Instructions*.
- Release the throttle trigger and let the engine idle. If the engine stops, insert a small phillips or flat blade screwdriver into the hole in the air filter/muffler cover (Fig. 38). Turn the idle speed screw in, **clockwise**, 1/8 of a turn at a time (as needed) until the engine idles smoothly.

NOTE: The cutting attachment should not rotate when the engine idles.

- If the cutting attachment rotates when the engine idles, turn the idle speed screw **counterclockwise** 1/8 of a turn at a time (as needed), to reduce idle speed.

Checking the gasoline mixture, cleaning the air filter, and adjusting the idle speed should solve most engine problems. If not and all of the following are true:

- the engine will not idle
- the engine hesitates or stalls on acceleration
- there is a loss of engine power

Have the carburetor adjusted by an authorized service dealer.



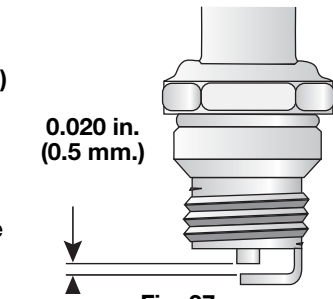
WARNING: The cutting attachment may spin during idle speed adjustments. Wear protective clothing and observe all safety instructions to prevent serious personal injury.

MAINTENANCE AND REPAIR INSTRUCTIONS

REPLACING THE SPARK PLUG

Use a Champion RDJ7Y spark plug, or equivalent. The correct air gap is **0.5 mm (0.020 in.)**. Remove the plug after every 25 hours of operation and check its condition.

1. Stop the engine and allow it to cool. Grasp the plug wire firmly and pull it from the spark plug.
2. Clean around the spark plug. Remove the spark plug from the cylinder head by turning a 5/8-inch socket counterclockwise.
3. Replace a cracked, fouled or dirty spark plug. Set the air gap at **0.5 mm (0.020 in.)** using a feeler gauge (Fig. 37).
4. Install a correctly-gapped spark plug in the cylinder head. Tighten by turning the 5/8-inch socket clockwise until snug.



If using a torque wrench torque to:

12.3-13.5 N•m (110-120 in•lb)

Do not over tighten.



CAUTION: Do not sand blast, scrape or clean electrodes. Grit in the engine could damage the cylinder.

CLEANING



WARNING: To avoid serious personal injury, always turn your trimmer off and allow it to cool before you clean or service it.

Use a small brush to clean off the outside of the unit. Do not use strong detergents. Household cleaners that contain aromatic oils such as pine and lemon, and solvents such as kerosene, can damage plastic housing or handle. Wipe off any moisture with a soft cloth.

STORAGE

- Never store a fueled unit where fumes may reach an open flame or spark.
- Allow the engine to cool before storing.
- Store the unit locked up to prevent unauthorized use or damage.
- Store the unit in a dry, well-ventilated area.
- Store the unit out of the reach of children.

LONG TERM STORAGE

If you plan on storing the unit for an extended time, use the following storage procedure:

1. Drain all gas from the gas tank into a container with the same 2-cycle gas mixture. Do not use gas that has been stored for more than 60 days. Dispose of the old gas/oil mix in accordance to Federal, State and Local regulations.
2. Start the engine and allow it to run until it stalls. This ensures that all gas has been drained from the carburetor.
3. Allow the engine to cool. Remove the spark plug and put 30 ml (1 oz) of any high quality motor oil or 2-cycle oil into the cylinder. Pull the starter rope slowly to distribute the oil. Reinstall the spark plug.

NOTE: Remove the spark plug and drain all of the oil from the cylinder before attempting to start the trimmer after storage.

4. Thoroughly clean the unit and inspect it for any loose or damaged parts. Repair or replace damaged parts and tighten loose screws, nuts or bolts. The unit is ready for storage.

TRANSPORTING

- Allow the engine to cool before transporting.
- Drain gas from unit.
- Tighten gas cap before transporting.
- Secure the unit while transporting.

TROUBLESHOOTING

ENGINE WILL NOT START

CAUSE

Empty fuel tank
Primer bulb wasn't pressed enough
Engine is flooded
Old or improperly mixed fuel
Fouled spark plug
Plugged spark arrestor

ACTION

Fill fuel tank with new fuel
Press primer bulb fully and slowly 10 times
Use starting procedure with choke lever in position 3
Drain gas tank and add fresh fuel
Replace or clean the spark plug
Clean or replace spark arrestor

ENGINE WILL NOT IDLE

CAUSE

Air filter is plugged
Old or improperly mixed fuel
Improper carburetor adjustment

ACTION

Replace or clean the air filter
Drain gas tank and add fresh fuel
Adjust carburetor

ENGINE WILL NOT ACCELERATE

CAUSE

Old or improperly mixed fuel
Improper carburetor adjustment
Cutting attachment bound with grass
Dirty air filter
Plugged spark arrestor

ACTION

Drain gas tank and add fresh fuel
Take to an authorized service dealer for adjustment
Stop the engine and clean the cutting attachment
Clean or replace the air filter
Clean or replace spark arrestor

ENGINE LACKS POWER OR STALLS WHEN CUTTING

CAUSE

Old or improperly mixed fuel
Improper carburetor adjustment
Fouled spark plug
Plugged spark arrestor

ACTION

Drain gas tank and add fresh fuel
Take to an authorized service dealer for adjustment
Replace or clean the spark plug
Clean or replace spark arrestor

CUTTING ATTACHMENT WILL NOT ADVANCE LINE

CAUSE

Cutting attachment bound with grass
Cutting attachment out of line
Inner reel bound up
Cutting head dirty
Line welded
Line twisted when refilled
Not enough line is exposed

ACTION

Stop the engine and clean cutting attachment
Refill with new line
Replace the inner reel
Clean inner reel and outer spool
Disassemble, remove the welded section and rewind
Disassemble and rewind the line
Push the bump knob and pull out line until 4 inches (102 mm) of line is outside of the cutting attachment

CUTTING LINE ADVANCES UNCONTROLLABLY

CAUSE

Oil, cleaner or lubricant in cutting head

ACTION

Clean and thoroughly dry the cutting head

If further assistance is required, contact your authorized service dealer.

SPECIFICATIONS

ENGINE*

Engine Type	Air-Cooled, 2-Cycle
Stroke	31.75 mm (1.25 in.)
Displacement	31 cc (1.9 cu in)
Clutch Type.....	Centrifugal
Idle Speed RPM.....	2,800 - 3,600 rpm
Operating RPM	6,100+ rpm
Ignition Type.....	Electronic
Ignition Switch	Rocker Switch
Spark Plug Gap	0.5 mm (0.020 in.)
Lubrication.....	Gas/Oil Mixture
Gasoline/Oil Ratio.....	40:1
Carburetor	Diaphragm, All-Position
Starter	Auto Rewind
Muffler	Baffled with Guard
Throttle	Manual Spring Return
Gas Tank Capacity	355 ml (12 oz.)

DRIVE SHAFT AND CUTTING ATTACHMENT*

Drive Shaft Housing	Steel Tube
Throttle Control.....	Finger-Tip Trigger with Lock-Out
Approximate Unit Weight (No gas, with cutting attachment, shield and handle)	7 kg (15 lbs.)
Cutting Mechanism	4-Tooth Cutting Blade, Dual String Cutting Head
Line Spool	Bump Line Releaser
Line Spool Diameter	101.6 mm (4 inches)
Trimming Line Diameter.....	2.41 mm (0.095 inch)
Cutting Path Diameter, Cutting Attachment	45.7 cm (18 inches)
Cutting Path Diameter, Cutting Blade	204 mm (8 inches)
Shoulder Harness.....	Single Quick-Snap

*All specifications are based on the latest product information available at the time of printing. We reserve the right to make changes at any time without notice.

California / EPA Emission Control Warranty Statement

Your Warranty Rights and Obligations

The California Air Resources Board, the Environmental Protection Agency and MTD LLC (MTD) are pleased to explain the emission control system warranty on your 2005 and later small off-road engine. New small off-road engines must be designed, built and equipped to meet stringent anti-smog standards. MTD must warrant the emission control system on your small off-road engine for the periods of time listed below provided there has been no abuse, neglect or improper maintenance of your small off-road engine.

Your emission control system may include parts such as the carburetor or fuel-injected system, the ignition system, and catalytic converter. Also included may be hoses, belts, connectors and other emission-related assemblies.

Where a warrantable condition exists, MTD will repair your small off-road engine at no cost to you including diagnosis, parts and labor.

The 2005 and later small off-road engines are warranted for two years. If any emission-related part on your engine is defective, the part will be repaired or replaced by MTD.

Owners Warranty Responsibilities

- As the small off-road engine owner, you are responsible for the performance of the required maintenance listed in your operator's manual. MTD recommends that you retain all receipts covering maintenance on your small off-road engine, but MTD cannot deny warranty solely for the lack of receipts or for your failure to ensure the performance of all scheduled maintenance.
- As the small off-road engine owner, you however should be aware that MTD may deny you warranty coverage if your small off-road engine or a part has failed due to abuse, neglect, improper maintenance or unapproved modifications.
- You are responsible for presenting your small off-road engine to a MTD Authorized Service Center as soon as a problem exists. The warranty repairs should be completed in a reasonable amount of time, not to exceed 30 days.

If you have any questions regarding your warranty rights and responsibilities, you should call **1-800-345-8746**.

Manufacturer's Warranty Coverage

- The warranty period begins on the date the engine or equipment is delivered to the retail purchaser.
- The manufacturer warrants to the initial owner and each subsequent purchaser, that the engine is free from defects in material and workmanship which cause the failure of a warranted part for a period of two years.
- Repair or replacement of warranted part will be performed at no charge to the owner at an Authorized MTD Service Center. For the nearest location please contact MTD at: **1-800-345-8746**.
- Any warranted part which is not scheduled for replacement, as required maintenance or which is scheduled for only for regular inspection to the effect of "Repair or Replace as Necessary" is warranted for the warranty period. Any warranted part which is scheduled for replacement as required maintenance will be warranted for the period of time up to the first scheduled replacement point for that part.
- The owner will not be charged for diagnostic labor which leads to the determination that a warranted part is defective, if the diagnostic work is performed at an Authorized MTD Service Center.
- The manufacturer is liable for damages to other engine components caused by the failure of a warranted part still under warranty.
- Failures caused by abuse, neglect or improper maintenance are not covered under warranty.
- The use of add-on or modified parts can be grounds for disallowing a warranty claim. The manufacturer is not liable to cover failures of warranted parts caused by the use of add-on or modified parts.
- In order to file a claim, go to your nearest Authorized MTD Service Center. Warranty services or repairs will be provided at all Authorized MTD Service Centers.
- Any manufacturer approved replacement part may be used in the performance of any warranty maintenance or repair of emission related parts and will be provided without charge to the owner. Any replacement part that is equivalent in performance or durability may be used in non-warranty maintenance or repair and will not reduce the warranty obligations of the manufacturer
- The following components are included in the emission related warranty of the engine, air filter, carburetor, primer, fuel lines, fuel pick up/ fuel filter, ignition module, spark plug and muffler.

MANUFACTURER'S LIMITED WARRANTY FOR:



The limited warranty set forth below is given by MTD LLC ("MTD") with respect with new merchandise purchased and used in the United States, its possessions and territories.

MTD warrants this product against defects in material and workmanship for a period of two (2) years commencing on the date of original purchase and will, at its option, repair or replace, free of charge, any part found to be defective in material or workmanship. This limited warranty shall only apply if this product has been operated and maintained in accordance with the Operator's Manual furnished with the product, and has not been subject to misuse, abuse, commercial use, neglect, accident, improper maintenance, alteration, vandalism, theft, fire, water or damage because of other peril or natural disaster. Damage resulting from the installation or use of any accessory or attachment not approved by MTD for use with the product(s) covered by this manual will void your warranty as to any resulting damage.

This warranty is limited to ninety (90) days from the date of original retail purchase for any MTD product that is used for rental or commercial purposes, or any other income-producing purpose.

HOW TO OBTAIN SERVICE: Warranty service is available, WITH PROOF OF PURCHASE THROUGH YOUR LOCAL AUTHORIZED SERVICE DEALER. To locate the dealer in your area, please check for a listing in the Yellow Pages or contact the Customer Service Department of MTD by calling **1-800-345-8746** or writing to P.O. Box 361131, Cleveland OH 44136-0019 or if in Canada call **1-800-668-1238**. No product returned directly to the factory will be accepted unless prior written permission has been extended by the Customer Service Department of MTD.

This limited warranty does not provide coverage in the following cases:

- A. Tune-ups - Spark Plugs, Carburetor Adjustments, Filters
- B. Wear items - Bump Knobs, Outer Spools, Cutting Line, Inner Reels, Starter Pulley, Starter Ropes, Drive Belts
- C. MTD does not extend any warranty for products sold or exported outside of the United States of America, its possessions and territories, except those sold through MTD's authorized channels of export distribution.

MTD reserves the right to change or improve the design of any McCulloch Product without assuming any obligation to modify any product previously manufactured.

No implied warranty, including any implied warranty of merchantability or fitness for a particular purpose, applies after the applicable period of express written warranty above as to the parts as identified. No other express warranty or guaranty, whether written or oral, except as mentioned above, given by any person or entity, including a dealer or retailer, with respect to any product shall bind MTD. During the period of the Warranty, the exclusive remedy is repair or replacement of the product as set forth above. (Some states do not allow limitations on how long an implied warranty lasts, so the above limitation may not apply to you.)

The provisions as set forth in this Warranty provide the sole and exclusive remedy arising from the sales. MTD shall not be liable for incidental or consequential loss or damages including, without limitation, expenses incurred for substitute or replacement lawn care services, for transportation or for related expenses, or for rental expenses to temporarily replace a warranted product. (Some states do not allow limitations on how long an implied warranty lasts, so the above limitation may not apply to you.)

In no event shall recovery of any kind be greater than the amount of the purchase price of the product sold. Alteration of the safety features of the product shall void this Warranty. You assume the risk and liability for loss, damage, or injury to you and your property and/or to others and their property arising out of the use or misuse or inability to use the product.

This limited warranty shall not extend to anyone other than the original purchaser, original lessee or the person for whom it was purchased as a gift.

How State Law Relates to this Warranty: This warranty gives you specific legal rights, and you may also have other rights which vary from state to state.

To locate your nearest service dealer dial **1-800-345-8746** in the United States or **1-800-668-1238** in Canada.

MTD LLC
P.O. Box 361131
Cleveland, OH 44136-0019

Manuel de L'utilisateur

Désherbeuse / débroussailleuse
à gaz à 2-temps

Y780

CONSERVEZ CES INSTRUCTIONS

Obtenez la liste des concessionnaires agréés appelez le **1-800-345-8746** aux États-Unis, ou le **1-800-668-1238** au Canada. Pour de plus amples informations à propos de votre appareil, visitez www.mtdproducts.com.

NE RETOURNEZ PAS L'APPAREIL AU DÉTAILLANT CHEZ QUI VOUS L'AVEZ ACHETÉ. TOUT SERVICE SOUS GARANTIE NÉCESSITE UNE PREUVE D'ACHAT.

CE PRODUIT EST COUVERT PAR UN OU PLUSIEURS BREVETS AMÉRICAINS, ET D'AUTRES SONT EN INSTANCE. L'entretien de cette machine pendant et passé la période de garantie devrait être fait par un concessionnaire agréé.

PARE-ÉTINCELLES

REMARQUE : à l'intention des utilisateurs opérant dans les terres forestières des États-Unis et dans les états de Californie, du Maine, de l'Orégon et de Washington. Toutes les terres forestières des États-Unis et de l'état de Californie (Codes sur les ressources publiques 4442 et 4443), de l'Orégon et de Washington exigent de par la loi que certains moteurs à combustion interne utilisés dans des zones couvertes de taillis ou d'herbe soient équipés d'un pare-étincelles en parfait état de fonctionnement, ou qu'ils soient conçus, équipés et entretenus pour la prévention des incendies. Renseignez-vous auprès des autorités de votre province ou de votre municipalité concernant la réglementation en vigueur. Vous pourriez être passible d'une amende ou être tenu responsable si vous ne respectez pas cette réglementation. Cet appareil est équipé d'un pare-étincelles en usine. **Si l'écran pare-étincelles, réf. 753-05169, doit être remplacé,** communiquez avec le service technique.

AVERTISSEMENT DE LA PROPOSITION 65 DE CALIFORNIE



AVERTISSEMENT



LES GAZ D'ÉCHAPPEMENT DU MOTEUR DE CET APPAREIL CONTIENNENT DES PRODUITS CHIMIQUES CONSIDÉRÉS PAR L'ÉTAT DE CALIFORNIE COMME POUVANT CAUSER LE CANCER, DES MALFORMATIONS CONGÉNITALES OU D'AUTRES EFFETS NOCIFS SUR L'APPAREIL DE REPRODUCTION.

Toutes les informations, illustrations et spécifications contenues dans ce manuel tiennent compte des dernières informations techniques disponibles au moment de mettre sous presse. Nous nous réservons le droit d'y apporter des modifications à tout moment, sans préavis.

Copyright© 2005 MTD SOUTHWEST INC., Tous droits réservés.



TABLE DES MATIÈRES

Service technique	F1
Consignes de sécurité	F2
Informations sur l'huile et le carburant	F3
Instructions de montage	F4
Familiarisez-vous avec votre appareil	F4
Instructions de démarrage et d'arrêt	F7
Mode d'emploi	F8
Entretien et réparations	F9
Nettoyage et entreposage	F13
Tableau de dépannage	F14
Caractéristiques	F15
Garantie	F17, F18
Liste des pièces	E18



AVERTISSEMENT: Lorsque vous utilisez la machine, vous devez suivre les consignes de sécurité. Veuillez lire ces instructions avant d'opérer la machine pour vous assurer de la sécurité de l'opérateur et de tout spectateur. Veuillez conserver ces instructions pour un usage ultérieur.

CONSIGNES DE SÉCURITÉ

• IMPORTANTES CONSIGNES DE SÉCURITÉ •

LIRE TOUTES LES INSTRUCTIONS

AVANT UTILISATION

- Veuillez lire les instructions avec soin. Familiarisez-vous avec les commandes et l'utilisation correcte de cet appareil.
- N'utilisez pas l'appareil si vous êtes fatigué, malade ou sous l'effet de l'alcool, de drogues ou de médicaments.
- Les enfants et adolescents de moins de 15 ans ne doivent pas utiliser l'appareil exceptés les adolescents assistés d'un adulte.
- Inspectez l'appareil avant utilisation. Remplacez les pièces endommagées. Regardez s'il y a des fuites de carburant. Assurez-vous que les fixations sont solidement en place. Remplacez les pièces de l'accessoire de coupe qui sont fendillées, ébréchées ou endommagées. Assurez-vous que l'accessoire de coupe est correctement installé et solidement fixé. Assurez-vous que le protecteur d'accessoire de coupe est correctement fixé et positionné comme recommandé. Vous risquez sinon de causer des blessures à l'opérateur et aux spectateurs, et d'endommager l'appareil.
- N'utilisez que du fil de remplacement d'origine du fabricant de 2,03 mm, 0,080 po de diamètre. N'utilisez jamais de fil, de chaîne ou de cordon à renfort métallique car ils peuvent se briser et se transformer en projectile dangereux.
- Soyez conscient des risques de blessure à la tête, aux mains et aux pieds.
- Dégagez la zone de coupe avant chaque usage. Enlevez tous les objets pouvant être projetés ou happés par l'accessoire de coupe : cailloux, verre brisé, clous, fil ou ficelle. Éloignez enfants, spectateurs et animaux de la zone de coupe. Tenez-les à au moins 15 m (50 pi) de là mais sachez que les spectateurs risquent quand même d'être atteints par des objets projetés. Les spectateurs doivent porter des protections oculaires. Arrêtez immédiatement le moteur et l'accessoire de coupe si quelqu'un s'approche de vous.
- Appuyez sur la manette des gaz et assurez-vous qu'elle revient automatiquement en position de ralenti. Procédez à tous les réglages ou réparations avant d'utiliser l'appareil.

AVERTISSEMENTS DE SÉCURITÉ CONCERNANT LES DÉSHERBEUSES À GAZ



AVERTISSEMENT: l'essence est extrêmement inflammable et ses vapeurs peuvent exploser si on y met le feu. Veuillez prendre les précautions suivantes.

- Ne stockez le carburant que dans des contenants spécialement conçus et homologués pour le stockage de ce type de matières.
- Arrêtez toujours le moteur et laissez-le refroidir avant de remplir le réservoir de carburant. N'enlevez jamais le bouchon du réservoir et n'ajoutez jamais de carburant pendant que le moteur est chaud. Ne faites jamais fonctionner l'appareil sans que le bouchon de carburant soit bien mis. Desserrez lentement le bouchon afin de réduire la pression du réservoir.
- Évitez de créer une source d'allumage pour le carburant déversé. Ne démarrez pas le moteur avant que les vapeurs de carburant ne se soient dissipées.
- Ajoutez le carburant dans un endroit bien aéré et propre en plein air à l'abri des étincelles ou des flammes. N'enlevez lentement le bouchon du réservoir d'essence qu'après avoir arrêté le moteur. Ne fumez pas pendant le remplissage de carburant. Essayez immédiatement tout déversement de carburant de l'appareil.
- Éloignez l'appareil d'au moins 9.1 m (30 pi) de la source de ravitaillement en carburant avant de démarrer le moteur. Ne fumez pas et éloignez toute source d'étincelles ou de flammes vives du lieu de ravitaillement ou de fonctionnement de l'appareil.

PENDANT L'UTILISATION DE L'APPAREIL

- Évitez de démarrer ou de faire marcher l'appareil à l'intérieur d'une pièce ou d'un bâtiment fermé. La respiration de fumées d'échappement peut tuer. Ne faites fonctionner cet appareil qu'à l'extérieur dans un endroit bien aéré.
- Portez des lunettes de sécurité conformes aux normes ANSI Z87.1 ainsi que des protège-oreilles durant l'utilisation de l'appareil. Portez un masque facial ou antipoussières si vous travaillez dans un lieu poussiéreux.
- Portez des pantalons épais et longs, des bottes, des gants et une

chemise à manches longues. Ne marchez pas pieds nus et évitez les vêtements lâches, bijoux, pantalons courts et sandales. Relevez les cheveux au-dessus des épaules.

- Le protecteur d'accessoire de coupe doit toujours être en place lors de l'utilisation de l'appareil. Ne faites pas marcher l'appareil sans que les deux fils soient bien déployés, en supposant qu'un fil approprié a été installé. Assurez-vous que le fil ne dépasse pas le protecteur de sécurité.
- Cet appareil est muni d'un embrayage. L'accessoire de coupe reste stationnaire lorsque le moteur est au ralenti. Si ce n'est pas le cas, faites régler l'appareil par un technicien agréé.
- Ajustez la poignée selon votre taille pour mieux l'agripper.
- N'utilisez l'appareil qu'en plein jour ou avec un bon éclairage artificiel.
- Évitez tout démarrage accidentel. Mettez-vous en position de démarrage chaque fois que vous tirez sur la corde de démarrage. L'opérateur et l'appareil doivent tous deux être en position stable à ce moment-là. Voir les Instructions de démarrage et d'arrêt.
- Ne vous étirez pas. Tenez-vous toujours bien sur vos pieds en position d'équilibre.
- Tenez toujours l'appareil des deux mains lorsque vous le faites marcher. Agrippez fermement les poignées avant et arrière.
- Gardez les mains, le visage et les pieds éloignés des pièces mobiles. Ne touchez pas et n'essayez pas d'arrêter l'accessoire de coupe en rotation.
- Ne touchez pas le moteur, le boîtier d'engrenages ni le silencieux. Ces pièces deviennent très chaudes à l'utilisation. Elles restent chaudes brièvement après l'arrêt.
- Servez-vous des outils appropriés. N'utilisez cet outil que pour son usage prévu.
- Ne faites pas fonctionner le moteur à un régime plus élevé que nécessaire pour couper, tailler ou faire les bordures. Ne faites pas tourner le moteur à haut régime si vous ne vous faites pas de coupe.
- Arrêtez toujours le moteur lorsque vous suspendez la coupe ou lorsque vous vous déplacez d'un lieu de travail vers un autre.
- Si vous heurtez un corps étranger ou que celui-ci est happé, arrêtez le moteur immédiatement et vérifiez que rien n'a été endommagé. Ne faites pas fonctionner avant réparation des dommages. Ne faites pas marcher l'appareil si les pièces sont desserrées ou endommagées.
- Arrêtez et éteignez le moteur dans les cas suivants: entretien, réparation ou changement d'accessoires ou autres.
- N'utilisez que des pièces de équipement original rechange et accessoires d'origine du fabricant pour cet appareil. Elles sont disponibles auprès de votre concessionnaire agréé. L'utilisation de pièces ou accessoires autres que ceux de équipement original peut causer des blessures graves, endommager l'appareil et annuler sa garantie.
- Gardez l'appareil exempt d'accumulation de végétation ou autres matières. Celles-ci peuvent rester logées entre l'accessoire de coupe et le protecteur.
- Afin de diminuer les risques d'incendie, remplacez tout silencieux ou pare-étincelles défectueux et conservez le moteur et le silencieux exempts d'herbe, de feuilles et d'accumulation excessive de graisse ou de carbone.

AUTRES AVERTISSEMENTS DE SÉCURITÉ

- N'entreposez jamais l'appareil rempli de carburant dans un édifice où les vapeurs peuvent atteindre une source de flammes vives ou d'étincelles.
- Laissez le moteur se refroidir avant de l'entreposer ou de le transporter. Attachez bien l'appareil pendant le transport.
- Rangez l'appareil dans un endroit verrouillé et sec, ou élevé et sec, hors de portée des enfants, pour éviter une utilisation indésirable ou un accident.
- Ne trempez et n'arrosez jamais l'appareil avec de l'eau ou tout autre liquide. Gardez les poignées sèches, propres et exemptes de débris. Nettoyez après chaque usage. Voir les sections *Nettoyage* et *Entreposage*.
- Conservez ces instructions. Consultez-les souvent et servez-vous en pour instruire d'autres usagers. Si vous prêtez l'appareil à quelqu'un, prêtez-lui également ces instructions.

CONSERVER CES INSTRUCTIONS

CONSIGNES DE SÉCURITÉ

SYMBOLES DE SÉCURITÉ ET INTERNATIONAUX

Ce manuel de l'utilisateur décrit les symboles et pictogrammes de sécurité et internationaux pouvant apparaître sur ce produit. Consultez le manuel de l'utilisateur pour les informations concernant la sécurité, le montage, le fonctionnement, l'entretien et les réparations.

SYMBOLE	SIGNIFICATION	SYMBOLE	SIGNIFICATION
	<ul style="list-style-type: none"> SYMBOLE ALERTE DE SÉCURITÉ Indique un danger, un avertissement ou une mise en garde. Ce symbole peut être combiné à d'autres symboles ou pictogrammes. 		<ul style="list-style-type: none"> COMMANDE MARCHE/ARRÊT ALLUMAGE / DÉMARRAGE / MARCHÉ
	<ul style="list-style-type: none"> LISEZ LE MANUEL DE L'UTILISATEUR AVERTISSEMENT - Lisez le manuel de l'utilisateur et suivez tous les avertissements et consignes de sécurité. Vous pourriez à défaut entraîner des blessures graves pour vous ou d'autres personnes. 		<ul style="list-style-type: none"> COMMANDE MARCHE/ARRÊT ARRÊT ou STOP
	<ul style="list-style-type: none"> PORTEZ DES PROTECTIONS (YEUX ET OREILLES) AVERTISSEMENT: les objets projetés et les bruits forts peuvent endommager la vue et l'ouïe. Portez une visière de norme ANSI Z87.1-1989 et des protège-oreilles pendant l'utilisation. 		<ul style="list-style-type: none"> ÉLOIGNEZ LES SPECTATEURS AVERTISSEMENT: éloignez tout spectateur, les enfants et les animaux domestiques en particulier, d'au moins 15 m (50 pi) de la zone de coupe.
	<ul style="list-style-type: none"> AVERTISSEMENT SURFACE CHAUDE Ne touchez pas un silencieux ou un cylindre chaud. Vous pourriez vous brûler. Ces pièces deviennent très chaudes à l'utilisation. Elles restent chaudes brièvement après l'arrêt. 		<ul style="list-style-type: none"> CONTRÔLE DE L'ÉTRANGLEUR A. Position d'ÉTRANGLEMENT MAXIMUM B. Position d'ÉTRANGLEMENT PARTIEL C. Position MARCHÉ.
	<ul style="list-style-type: none"> CARBURANT SANS PLOMB Utilisez toujours du carburant sans plomb frais et propre. 		<ul style="list-style-type: none"> LES OBJETS PROJETÉS ET LA TÊTE ROTATIVE PEUVENT CAUSER DES BLESSURES GRAVES AVERTISSEMENT: ne faites pas fonctionner sans protecteur de sécurité en plastique. Tenez-vous à l'écart de l'accessoire de coupe rotatif.
	<ul style="list-style-type: none"> NIVEAU D'HUILE Voir le manuel de l'utilisateur pour le type d'huile approprié. 		<ul style="list-style-type: none"> LAME AIGUISÉE AVERTISSEMENT: le protecteur d'accessoire de coupe comporte une lame aiguisée. Ne touchez pas la lame pour éviter des blessures graves.
	<ul style="list-style-type: none"> PRIMER BULB Push primer bulb, fully and slowly, 10 times. 		<ul style="list-style-type: none"> TRIMMER/ BRUSHCUTTER SAFETY WARNING: Thrown objects and rotating cutter can cause severe injury. Keep bystanders, especially children and pets, at least 50 feet (15 m) away from the cutting area. The cutting attachment shield must be used when using the trimmer cutting attachment.
	<ul style="list-style-type: none"> BRUSHCUTTERS •REPLACE DULL BLADE Do not sharpen the cutting blade. Sharpening the blade can cause the blade tip to break off while in use. This can result in severe personal injury. 		

INFORMATIONS SUR L'HUILE ET LE CARBURANT

MÉLANGE D'HUILE ET DE CARBURANT

En général, si l'appareil ne fonctionne pas correctement, c'est que le carburant est vieux ou mal mélangé. Prenez soin d'utiliser de l'essence sans plomb fraîche et propre. Suivez à la lettre les instructions de mélange de carburant et d'huile.

Définition des carburants mélangés

Les carburants d'aujourd'hui sont souvent un mélange d'essence et d'oxygénés comme l'éthanol, le méthanol ou l'éther MTBE. Un carburant mélangé à l'alcool absorbe l'eau. Il suffit de 1 % d'eau pour séparer le carburant et l'huile. Cela forme de l'acide pendant le stockage. Si vous devez utiliser ce type de carburant, servez-vous de carburant frais (moins de 60 jours).

Usage de carburants mélangés

Si vous choisissez d'utiliser ou ne pouvez éviter d'utiliser un carburant mélangé, suivez les conseils suivants :

- Utilisez toujours un mélange de carburant frais selon le

AVERTISSEMENT: L'essence est extrêmement inflammable et les vapeurs qui s'en dégagent peuvent exploser si on y met le feu. Arrêtez toujours le moteur et laissez-le refroidir avant de remplir le réservoir. Ne fumez pas en remplissant le réservoir. Éloignez toute source d'étincelles ou de flammes vives de la zone.

manuel de l'utilisateur.




- Agitez toujours le mélange de carburant avant d'alimenter l'appareil.
- Videz le réservoir et faites marcher le moteur jusqu'à l'assécher avant d'entreposer l'appareil.



Utilisation d'additifs de carburant

La bouteille d'huile 2-temps livrée avec l'appareil contient un additif permettant d'empêcher la corrosion et de minimiser la formation de résidus de gomme. Nous vous recommandons d'utiliser ce type d'huile uniquement.

Si cela n'est pas disponible, utilisez une bonne huile 2-temps

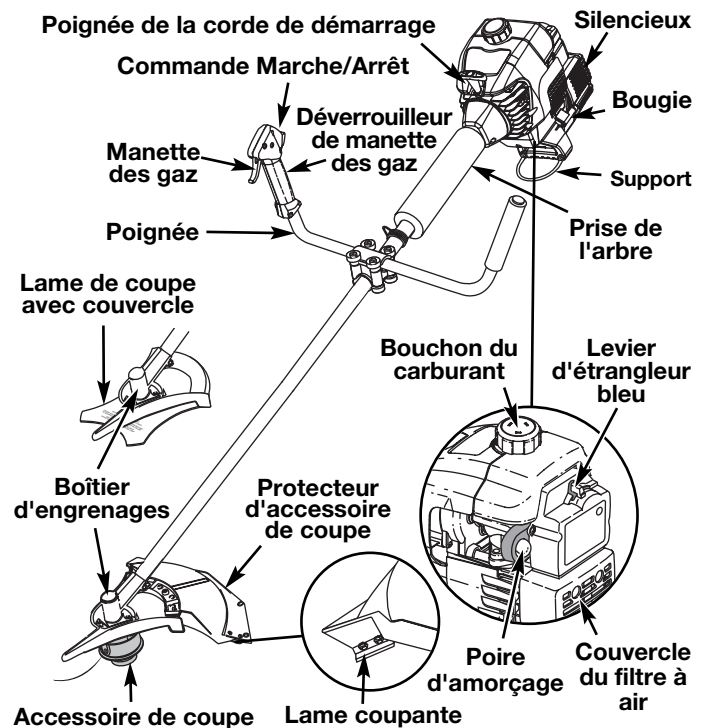
INFORMATIONS SUR L'HUILE ET LE CARBURANT

	CAUTION: For proper engine operation and maximum reliability, pay strict attention to the oil and fuel mixing instructions on the 2-cycle oil container. Using improperly mixed fuel can severely damage the engine.
	WARNING: Remove fuel cap slowly to avoid injury from fuel spray. Never operate the unit without the fuel cap securely in place.
	WARNING: Add fuel in a clean, well ventilated outdoor area. Wipe up any spilled fuel immediately. Avoid creating a source of ignition for spilt fuel. Do not start the engine until fuel vapors dissipate.

	+	
ESSENCE SANS PLOMB		HUILE 2-TEMPS
3,8 LITRES (1 GALLON US)		95 ml (3,2 OZ)
1 LITRE		25 ml

RAPPORT DE MÉLANGE O - 40:1

FAMILIARISEZ-VOUS AVEC L'APPAREIL



conçue pour les moteurs à 2-temps refroidis par air en y ajoutant un additif, tel que le stabilisant de gaz STA-BIL ou un produit équivalent. Ajoutez 23 ml (0,8 oz) d'additif par 4 litres (1 gallon) de carburant selon les instructions du récipient. N'ajoutez JAMAIS d'additifs directement dans le réservoir de l'appareil.

Mélangez soigneusement l'huile moteur 2-temps avec de l'essence sans plomb dans un bidon séparé. Utilisez un rapport 40:1 d'essence/huile. Ne les mélangez pas directement dans le réservoir de carburant. Voir le tableau ci-dessous pour les rapports de mélange d'essence et d'huile.

REMARQUE : 3,8 litres (1 gallon) d'essence sans plomb mélangés avec une bouteille de 95 ml (3.2 oz) d'huile 2-temps donnent un rapport d'essence/huile de 40:1.

REMARQUE : Éliminez le vieux mélange de carburant conformément aux règlements fédéral, provincial et municipal en vigueur.

INSTRUCTIONS DE MONTAGE

INSTALLATION ET RÉGLAGE DE LA POIGNÉE

1. Placez la poignée entre les brides supérieure et médiane (Fig. 1).

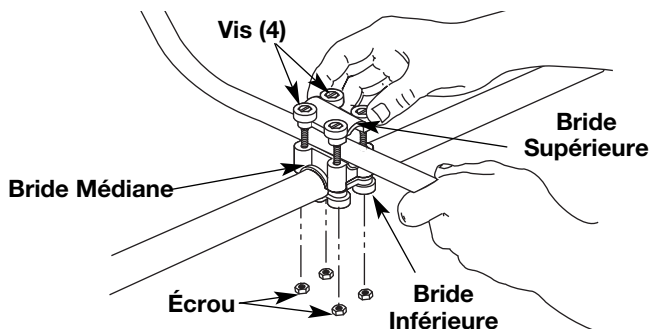


Fig. 1

2. Tenez les trois pièces ensemble, puis introduisez les quatre vis dans les brides supérieure et médiane.

NOTE : Les trous des brides supérieure et médiane ne sont alignés que si l'assemblage est correct.

3. Placez les brides et la poignée sur le corps de l'arbre et sur la bride inférieure.
4. Tenez d'un doigt chaque écrou hex dans le renforcement de la bride inférieure. Commencez à visser à l'aide d'un grand tournevis à embout cruciforme. Ne serrez pas avant de régler la poignée.
5. Tenez l'appareil en position d'utilisation (Fig. 2), puis positionnez la poignée de manière à assurer une prise idéale.
6. Serrez les vis des brides uniformément jusqu'à bien fixer la poignée.



Fig. 2

INSTRUCTIONS DE MONTAGE

INSTALLER LE HARNAIS



AVERTISSEMENT: portez toujours le harnais d'épaule lorsque vous utilisez la lame de coupe afin d'éviter de vous blesser.

1. Faites passer la bandoulière au centre de la boucle.
2. Tirez la bandoulière par-dessus la traverse et à travers la fente de la boucle (Fig. 3).

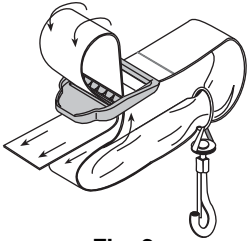


Fig. 3

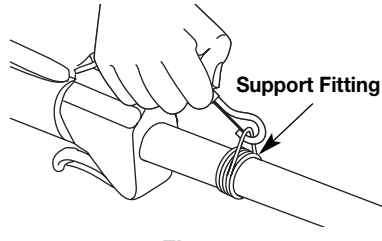


Fig. 4

3. Passez le harnais par-dessus la tête puis sur l'épaule. Accrochez-le au raccord de soutien (Fig. 4).
4. Réglez la longueur en fonction de la taille de l'opérateur. Tirez la languette pour rallonger ou tirez la bande pour raccourcir (Fig. 5).

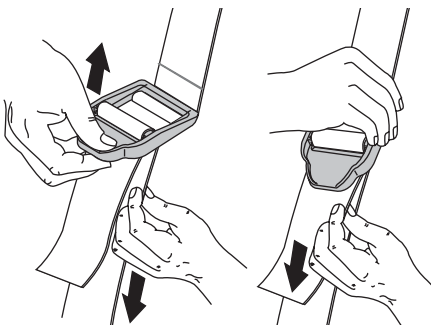


Fig. 5

RETRAIT ET INSTALLATION DU PROTECTEUR D'ACCESSOIRE DE COUPE

Enlevez le protecteur d'accessoire de coupe lorsque vous servez de l'appareil comme débroussailluse.



AVERTISSEMENT: n'installez PAS le protecteur d'accessoire de coupe si vous utilisez l'appareil avec une lame. Enlevez le protecteur avant d'enlever ou d'installer la lame.

Retirez le protecteur d'accessoire de coupe de son support en enlevant les trois vis à l'aide d'un tournevis à tête plate (Fig. 6). Rangez les pièces pour un usage ultérieur.

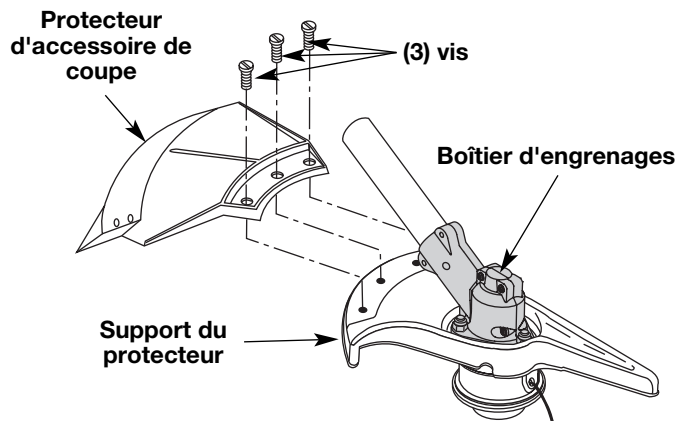


Fig. 6

Installez le protecteur d'accessoire de coupe lorsque vous vous servez de l'appareil comme désherbeuse.



AVERTISSEMENT: pour éviter des blessures graves, le protecteur d'accessoire de coupe DOIT toujours être installé lorsque vous vous servez de l'appareil comme désherbeuse.

Installez le protecteur d'accessoire de coupe sur son support en insérant les trois vis dans le support. Serrez fermement avec un tournevis à tête plate (Fig. 6).

RETRIER L'ACCESSOIRE DE COUPE ET INSTALLER LA LAME DE COUPE



AVERTISSEMENT: le boîtier d'engrenages chauffe à l'usage et peut blesser l'opérateur. Il reste chaud brièvement après l'arrêt. Ne le touchez pas tant qu'il n'a pas refroidi.

REMARQUE : pour faciliter le retrait ou l'installation de la lame ou de l'accessoire de coupe, placez l'appareil au sol ou sur un établi.

Retrait du protecteur d'accessoire de coupe

Voir *Retrait et installation du protecteur d'accessoire de coupe*.

Retirer l'accessoire de coupe

1. Alignez le trou de la bague de l'arbre avec la fente de la tige de blocage, puis insérez la tige dans le trou de la bague (Fig. 7).

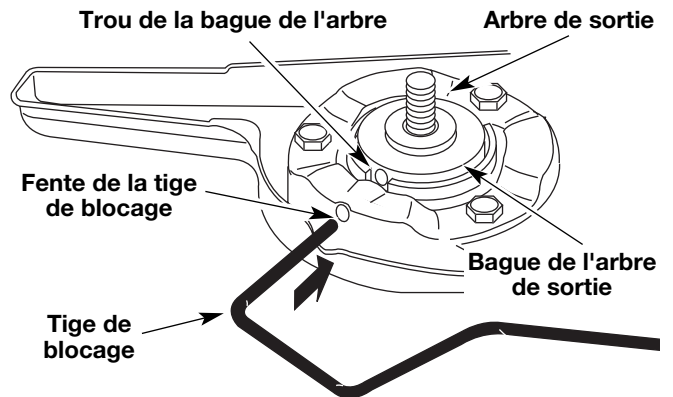


Fig. 7

2. Maintenez la tige de blocage en place en la saisissant près du bras de l'appareil (Fig. 8).
3. Tout en tenant la tige de blocage, retirez l'accessoire de coupe de l'arbre de sortie en le tournant à droite (Fig. 9). Rangez l'accessoire de coupe pour un usage ultérieur.

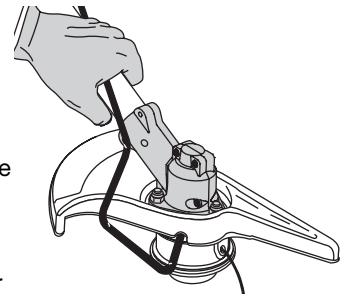


Fig. 8

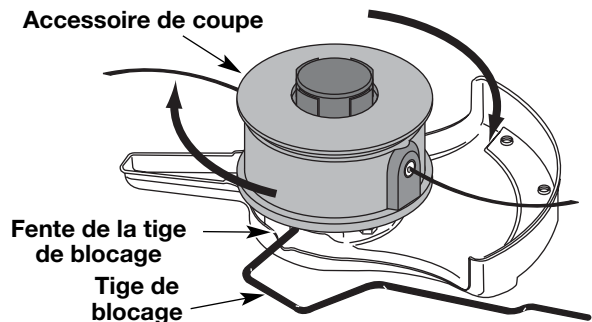


Fig. 9

INSTRUCTIONS DE MONTAGE

REMARQUE : la retenue de la lame sous l'accessoire de coupe servira au moment de l'installation de la lame de coupe.

Installer la lame de coupe



AVERTISSEMENT: pour éviter des blessures graves, le protecteur d'accessoire de coupe DOIT toujours être installé lorsque vous vous servez de l'appareil comme désherbeuse.

- Placez la lame de coupe sur la bague de l'arbre de sortie (Fig. 10).

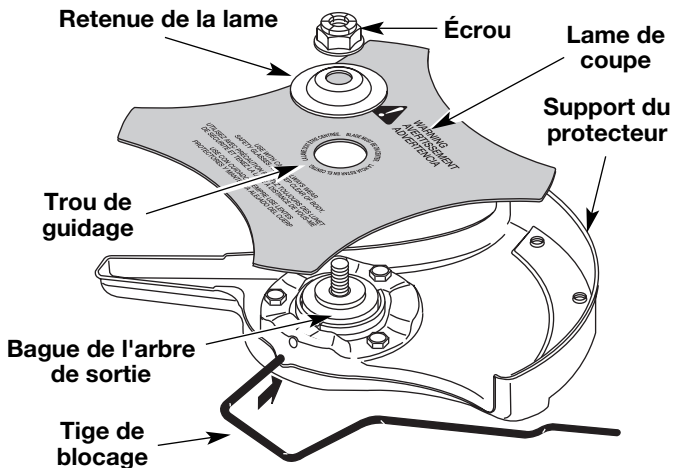


Fig. 10

- Assurez-vous que la lame de coupe est centrée sur le pas de guidage et qu'elle repose à plat contre la bague de l'arbre de sortie (Fig. 11).



AVERTISSEMENT: si la lame de coupe est décentrée, l'appareil vibrera et la lame pourrait s'envoler, ce qui causerait des blessures graves.

- Alignez le trou de la bague de l'arbre avec la fente de la tige de blocage, puis insérez la tige dans le trou (Fig. 7).

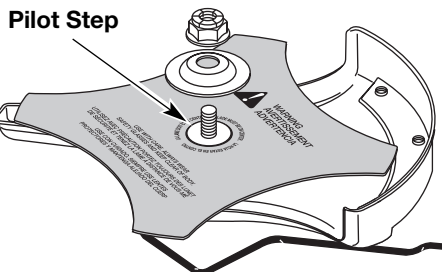
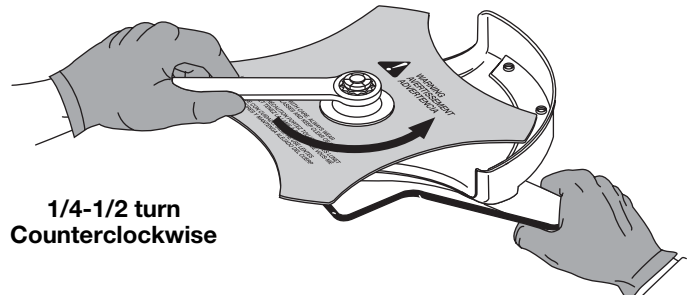


Fig. 11

- Placez la retenue et l'écrou de la lame sur l'arbre de sortie. Assurez-vous que la lame est bien mise.
- Vissez l'écrou vers la gauche contre la lame tout en tenant la tige de blocage :
 - Si vous utilisez une clé dynamométrique et une douille de 13 mm, vissez selon les valeurs de couple suivantes: **325 - 335 po•lb, 27 - 28 pi•lb, 37 - 38 N•m.**
 - Si vous n'avez pas de clé dynamométrique, utilisez une clé fermée ou à douille de 13 mm et tournez l'écrou jusqu'à ce que la retenue soit bien ajustée contre la bague de l'arbre. Assurez-vous que la lame est bien mise, puis donnez à l'écrou entre 1/4 et 1/2 tour supplémentaire à gauche (Fig. 12).
- Retirez la tige de blocage de sa fente.



AVERTISSEMENT: pour éviter des blessures graves et ne pas endommager l'appareil, ne le faites pas marcher avec la tige de blocage dans sa fente.



1/4-1/2 turn
Counterclockwise

Fig. 12

RETIRER LA LAME DE COUPE ET INSTALLER L'ACCESSOIRE DE COUPE

Retirer la lame de coupe



AVERTISSEMENT: pour éviter des blessures graves, portez toujours des gants lorsque vous manipulez ou installez la lame.

- Alignez le trou de la bague de l'arbre avec la fente de la tige de blocage, puis insérez la tige dans le trou (Fig. 7).
- Maintenez la tige de blocage en place en la saisissant près du bras de l'appareil (Fig. 13).
- Tenez la tige de blocage et desserrez l'écrou de la lame en le tournant à droite avec une clé fermée ou à douille de 5/8 pouce (Fig. 13).
- Retirez l'écrou, la retenue de lame et la lame. Rangez l'écrou et la lame ensemble en lieu sûr pour un usage ultérieur. Gardez hors de portée des enfants.



Fig. 13



AVERTISSEMENT: n'aigüez pas la lame de coupe : son extrémité pourrait casser à l'usage et causer des blessures graves. Remplacez-la plutôt.

Installer l'accessoire de coupe

- Alignez le trou de la bague de l'arbre avec la fente de la tige de blocage, puis insérez la tige dans le trou. (Fig. 7). Placez la retenue de lame sur l'arbre de sortie, la partie plate reposant contre la bague de l'arbre tel qu'indiqué sur la Fig. 14. Vissez l'accessoire de coupe à gauche sur l'arbre. Vissez bien.

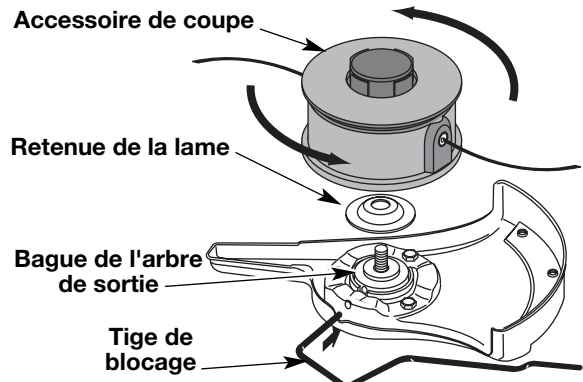


Fig. 14

REMARQUE : la retenue de la lame doit être installée sur l'arbre de sortie dans la position indiquée pour que l'accessoire de coupe fonctionne correctement.

- Retirez la tige de blocage.
- Installez le protecteur d'accessoire de coupe. Voir *Retrait et installation du protecteur d'accessoire de coupe.*

INSTRUCTIONS DE DÉMARRAGE ET ARRÊT



AVERTISSEMENT: n'utiliser l'outil qu'à l'extérieur, dans un endroit bien aéré. Les émanations d'oxyde de carbone dans un endroit confiné peuvent être mortelles.



AVERTISSEMENT: évitez tout démarrage accidentel. Tenez-vous en position de démarrage lorsque vous tirez sur la corde de démarrage (Fig. 22). L'opérateur et l'appareil doivent tous deux être en position stable pour éviter des blessures graves.

Vérifiez la bonne installation de l'accessoire avant le démarrage de l'appareil.

INSTRUCTIONS DE DÉMARRAGE

1. Mélangez l'essence avec l'huile. Remplissez le réservoir de carburant avec le mélange essence/huile. Voir *Instructions de mélange de l'huile et de l'essence*.
2. Vérifiez si l'interrupteur On/Off est bien en position ON (I) (Fig. 15).
3. Pressez et relâchez la poire d'amorçage à 10 reprises, lentement. Une certaine quantité d'essence **devrait être visible dans la poire d'amorçage** et les conduites d'essence (Fig. 7). Si vous n'apercevez pas d'essence dans la poire, pressez et relâchez la poire autant de fois qu'il le faut pour y voir de l'essence.
4. Placez le levier d'étranglement bleu en **position 1** (Fig. 7).
5. Avec la machine au sol, placez un pied sur la plaque métallique prévue pour que la machine reste en place (Fig. 17). Appuyez sur le verrouillage des gaz tandis que vous appuyez sur la commande des gaz. Tirez le lanceur jusqu'à 5 reprises.
6. Placez le levier d'étranglement bleu en **position 2** (Fig. 7).
7. Tout en continuant d'appuyer sur le verrouillage et la manette des gaz, tirez sur le lanceur vivement jusqu'à ce que le moteur démarre.
8. Continuez d'appuyer sur le verrouillage et la manette des gaz pendant 15 à 30 secondes pour chauffer le moteur.
9. Relâchez la poignée des gaz et le verrouillage des gaz et laissez tourner au ralenti.
10. Placez le levier d'étranglement bleu en **position 3** (Fig. 7). La machine est prête à être utilisée.

Si... le moteur ne démarre pas, retournez à l'étape 2.

Si... le moteur ne démarre pas après quelques essais, placez le levier d'étranglement bleu en **position 3** et appuyez sur la manette des gaz. Tirez vivement sur le cordon de démarrage entre 3 et 8 fois. Le moteur devrait démarrer. S'il ne démarre toujours pas, recommencez.

SI LE MOTEUR EST CHAUD... Si le moteur est déjà chaud, assurez-vous que l'interrupteur ON/OFF est bien en position ON et faites démarrer la machine avec le levier d'étranglement bleu en **position 2**. Une fois que la machine a démarré, mettez le levier d'étranglement bleu en position 3.

INSTRUCTIONS D'ARRÊT

1. Relâchez la manette des gaz. Laissez le moteur se refroidir au ralenti.
2. Mettez la commande Marche/Arrêt Stop en position ARRÊT (O).

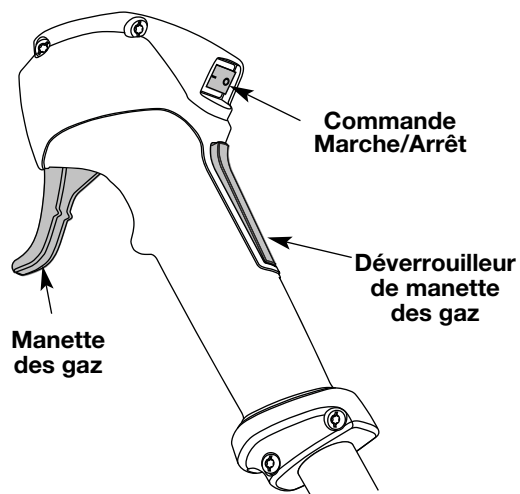


Fig. 15

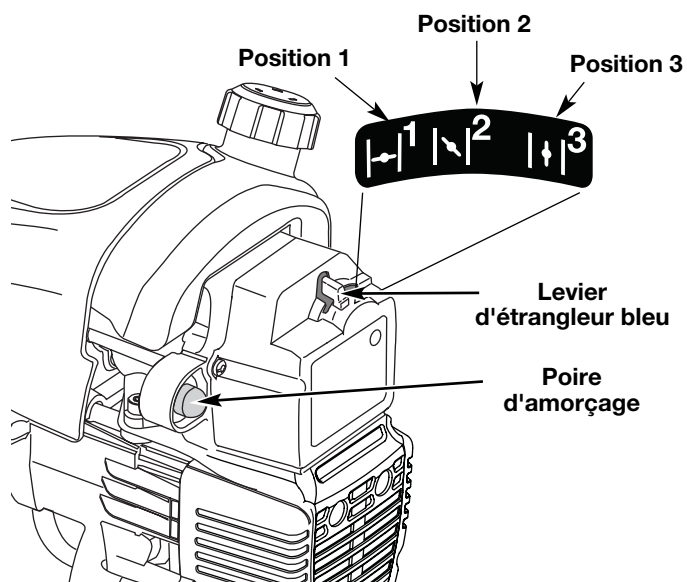


Fig. 16

Starting Position

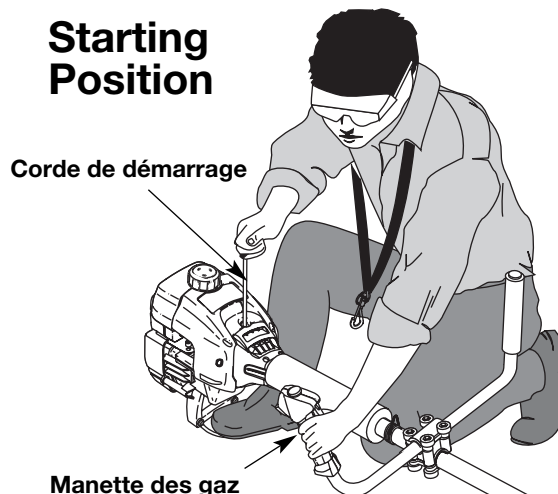


Fig. 17

TENUE DE LA DÉSHERBEUSE



AVERTISSEMENT: portez toujours des protections (yeux, oreilles, pieds et corps) pour diminuer les risques de blessures durant l'utilisation de l'appareil.

Avant de faire marcher l'appareil, tenez-vous en position de fonctionnement (Fig. 18). Vérifiez les points suivants:

- L'opérateur porte une visière et des vêtements appropriés.
- Le bras droit est droit et la main tient l'arbre par sa prise.
- Le bras gauche est légèrement plié et la main tient la poignée.
- L'appareil est au-dessous de la ceinture.
- L'accessoire de coupe est parallèle au sol et touche facilement la végétation sans que l'opérateur ne doive se pencher.



Fig. 18

Une fois que vous êtes en position de fonctionnement, accrochez la bandoulière à l'unité.

RÉGLAGE DE LA LONGUEUR DU FIL

L'accessoire de coupe Bump Head^{MC} vous permet de donner du fil sans arrêter le moteur. Pour avoir plus de fil, tapez doucement l'accessoire de coupe sur le sol (Fig. 19) tout en faisant marcher la désherbeuse à haut régime.

REMARQUE : gardez toujours le fil bien déroulé. Il devient

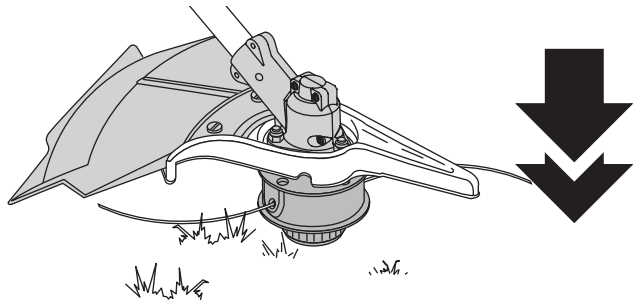


Fig. 19

plus difficile de donner du fil à mesure que le fil de coupe devient plus court.

Chaque fois que vous donnez un coup sur la tête, vous déroulez environ 25,4 mm (1 po) de fil. La lame du protecteur d'accessoire de coupe est conçue pour couper le fil à la bonne longueur si vous déroulez trop de fil.

Pour de meilleurs résultats, tapez la tête Bump Head^{MC} sur un sol dégagé ou dur. Si vous donnez du fil dans un lieu d'herbe haute, vous risquez de caler le moteur. Gardez toujours le fil bien déroulé. Il devient plus difficile de donner du fil à mesure que le fil de coupe se raccourci.

REMARQUE : ne posez pas la tête Bump Head^{MC} sur le sol lorsque l'appareil est en marche.

Le fil peut se briser dans les cas suivants :



AVERTISSEMENT: n'enlevez pas ni n'altérez l'ensemble de la lame coupante. Un excès de fil surchauffera l'embrayage. Ceci pourrait causer des blessures graves ou endommager l'appareil.

- Happement de corps étrangers
- Usure normale du fil
- Coupe de mauvaises herbes épaisses à longues tiges
- Forcer le fil dans des objets comme des murs ou des poteaux de clôture

CONSEILS POUR BIEN DÉSHERBER

- Pour meilleurs résultats qui taillent, opérer l'unité à plein équilibre.
- Le bon angle pour l'accessoire de coupe est parallèle au sol.
- Ne forcez pas l'accessoire. Coupez avec la pointe du fil (surtout le long des murs). Utiliser plus que la pointe diminue l'efficacité de la coupe et peut surcharger le moteur.
- Coupez l'herbe de plus de 200 mm (8 po) en procédant de haut en bas par petits incréments pour éviter d'user le fil prématurément ou de freiner le moteur.
- Coupez de gauche à droite chaque fois que possible. Cela améliore l'efficacité de coupe de l'appareil et les résidus de coupe sont projetés loin de l'opérateur.
- Déplacez lentement la désherbeuse dans et hors de la zone de coupe à la hauteur voulue. Procédez d'avant en arrière ou d'un côté à l'autre. Les coupes de longueur plus courte donnent les meilleurs résultats.
- Ne désherbez que lorsque l'herbe et les mauvaises herbes sont sèches.
- La durée de vie de votre fil de coupe dépend
 - de l'application des techniques de coupe précédentes
 - du type de végétation à couper
 - du lieu de coupe

Par exemple, le fil s'use plus vite si vous coupez le long d'un mur de fondation que si vous coupez autour d'un arbre.

COUPE DÉCORATIVE

La coupe décorative consiste à déblayer la végétation autour des arbres, des bornes, des clôtures, etc.

Tournez entièrement l'appareil de manière à ce que l'accessoire de coupe soit à un angle de 30° par rapport au sol (Fig. 20).

UTILISATION DE LA LAME DE COUPE

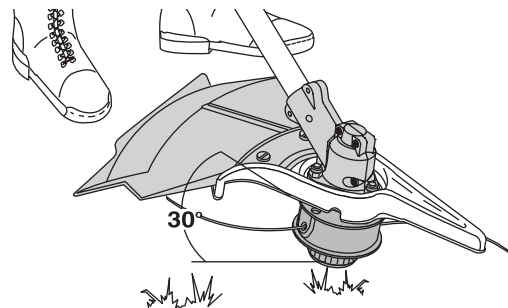


Fig. 20

Avant de faire marcher l'appareil, tenez-vous en position



AVERTISSEMENT: portez toujours des protections (yeux, oreilles, pieds et corps) et la bandoulière pour diminuer les risques de blessures durant l'utilisation de l'appareil.



AVERTISSEMENT: n'utilisez pas la lame de coupe comme coupe-bordure, cela peut entraîner des blessures graves pour vous ou d'autres personnes.

de fonctionnement (Fig. 21). Voir *Tenue de la désherbeuse. Conseils d'utilisation de la lame*

MODE D'EMPLOI

Comment adopter un bon rythme de coupe :

- Plantez les pieds fermement en les écartant confortablement.
- Lancez le moteur à pleine puissance avant de couper. La lame a une puissance de coupe maximale quand le moteur est à pleins gaz et est alors moins susceptible de se coincer, caler ou donner des coups, ce qui pourrait causer des blessures graves à l'opérateur et aux autres personnes.



Fig. 21

- Balancez l'appareil dans le opposé sens que celui de la rotation de la lame, ce qui accroît la puissance de coupe.
- Avancez vers la zone à couper suivante, après avoir ramené l'appareil, et plantez fermement les pieds de nouveau.
- La lame de coupe comporte un second bord coupant que vous pouvez utiliser. Pour cela, retirez la lame, retournez-la et fixez-la de nouveau.



AVERTISSEMENT: n'aiguiser pas la lame de coupe car son extrémité risquerait de casser à l'usage et causer des blessures graves à vous-même ou à d'autres personnes. Remplacez-la plutôt

Pour diminuer les risques d'enroulement des matériaux autour de la lame, suivez les points suivants :

- Coupez à pleins gaz.
- Balancez l'appareil de gauche à droite tout en pénétrant dans la zone à couper (Fig. 22).
- Évitez, sur le mouvement de retour, les matières que vous venez de couper.

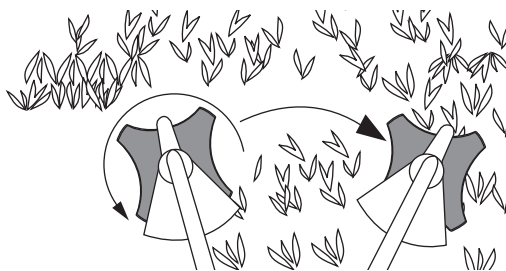


Fig. 22



AVERTISSEMENT: lorsque la lame pivotante frappe un objet qu'elle ne peut couper, elle donne un coup brusque qui peut pousser violemment l'opérateur et l'appareil vers n'importe quelle direction et faire perdre le contrôle de l'appareil. Ceci peut se produire brusquement si la lame s'accroche, cale ou se coince, notamment dans les endroits où il est difficile de voir ce que l'on coupe.

- Coupez tout en balançant le haut du corps de gauche à droite.
- Lorsque vous ne coupez pas, relâchez toujours la manette des gaz et laissez le moteur tourner au ralenti.
- Lorsque vous avez fini, dégagez toujours l'appareil du harnais avant d'enlever celui-ci.



AVERTISSEMENT: la lame continue de tourner à vide une fois le moteur éteint et peut vous blesser sérieusement si vous la touchez accidentellement.



PRECAUCION : ne déblayez pas les matières coupées pendant que le moteur ou la lame tournent. Pour éviter des blessures graves, éteignez le moteur et laissez la lame s'arrêter avant de dégager les matières enroulées autour de l'axe de la lame.

INSTRUCTIONS D'ENTRETIEN ET RÉPARATIONS

PROGRAMME D'ENTRETIEN

L'entretien doit respecter la fréquence indiquée dans le tableau ci-dessous. Il doit également faire partie de toute mise au point saisonnière.

REMARQUE : certaines procédures d'entretien nécessitent des compétences ou des outils particuliers. Si vous n'êtes pas sûr de pouvoir les entreprendre, emmenez votre appareil dans un atelier, chez un technicien ou un concessionnaire agréé spécialisé dans les réparations de moteurs d'outils mécaniques de plein air.

REMARQUE: l'entretien, le remplacement ou la réparation des dispositifs et systèmes antipollution peuvent être effectués par tout atelier, technicien ou concessionnaire agréé spécialisé dans les réparations de moteurs d'outils mécaniques de plein air.




AVERTISSEMENT : pour éviter tout accident, n'effectuez jamais l'entretien ou des réparations quand l'appareil fonctionne. Effectuez-les toujours lorsqu'il est froid. Débranchez le câble de la bougie pour prévenir la mise en route.

FRÉQUENCE	ENTRETIEN REQUIS	RÉFÉRENCE
Avant démarrage	Remplissez le réservoir du mélange d'essence/huile approprié	Page F4
Toutes les 10 heures	Nettoyez le filtre à air et lubrifiez-le de nouveau	Page F11
Toutes les 25 heures	Vérifiez le pare-étincelles et nettoyez-le Vérifiez l'état de la bougie et l'écartement des électrodes	Page F12 Page F13
Toutes les 50 heures	Examinez l'orifice d'échappement et l'écran pare-étincelles pour détecter tout bouchage ou obstruction, afin d'assurer des niveaux de performance maximum.	Page F12

INSTALLATION DU FIL

Cette section couvre l'installation de fil SplitLine^{MC} et l'installation de fil simple standard.

Utilisez toujours un fil de remplacement équipement d'origine de 2,41mm (0,095 po). Un autre fil pourrait surchauffer ou endommager le moteur.



AVERTISSEMENT: n'utilisez jamais de fil, de chaîne ou de cordon à renfort métallique car ils peuvent se briser et se transformer en projectile dangereux.

Vous pouvez remplacer le fil de deux façons:

- Rembobinez du fil neuf dans le moulinet intérieur
- Installer un moulinet intérieur prérembobiné

Rembobiner le moulinet intérieur existant

1. Tenez la bobine extérieure d'une main et dévissez le bouton de butée vers à droite (Fig. 23). Inspectez le boulon à l'intérieur du bouton de butée pour vous assurer qu'il se déplace librement. Remplacez le bouton de butée s'il est endommagé.

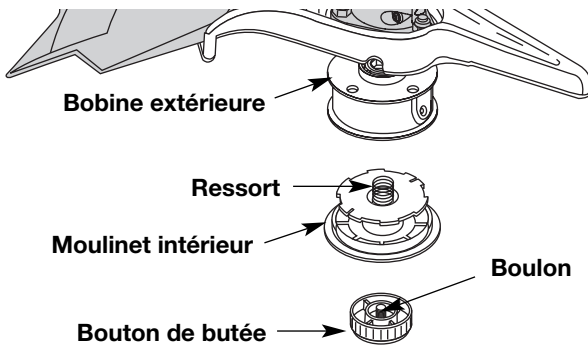


Fig. 23

2. Retirez le moulinet intérieur de la bobine extérieure (Fig. 23).
3. Retirez le ressort du moulinet (Fig. 23).
4. Nettoyez le moulinet intérieur, le ressort, et l'arbre et la surface interne de la bobine extérieure à l'aide d'un tissu propre (Fig. 24).
5. Vérifiez l'état d'usure des dents de positionnement sur le moulinet intérieur et la bobine extérieure (Fig. 25). Enlevez les ébarbures ou remplacez le moulinet et la bobine au besoin.

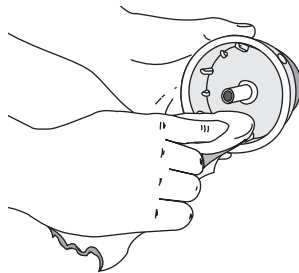


Fig. 24

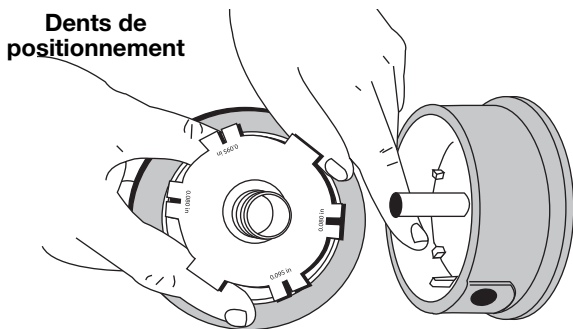
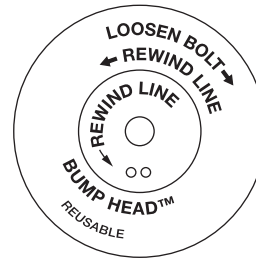


Fig. 25

REMARQUE : le SplitLine^{MC} peut être utilisé seulement avec le moulinet intérieur à trous allongés. Le fil simple peut être utilisé avec les deux sortes de moulinet intérieur. Identifiez votre type de moulinet en vous référant à la Figure 26.

Utiliser avec le fil simple UNIQUEMENT



Utiliser avec le SplitLine^{MC} ou le fil simple

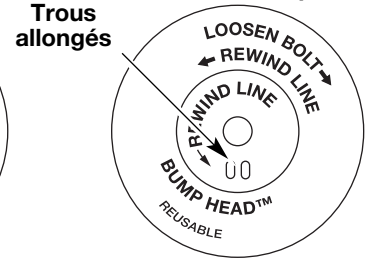


Fig. 26

REMARQUE : utilisez toujours la bonne longueur de fil lorsque vous posez le fil sur l'appareil. Le fil risque de ne pas se dérouler correctement s'il est trop long.

Installation du fil simple

Pour l'installation du SplitLine^{MC}, passez à l'étape 8.

6. Découpez environ 5 m (16 pi) de fil neuf et faites-en deux boucles de longueurs égales. Insérez chaque extrémité de fil dans l'un des deux trous du moulinet (Fig. 27). Tirez le fil à travers le moulinet pour que la boucle soit le plus petit possible.

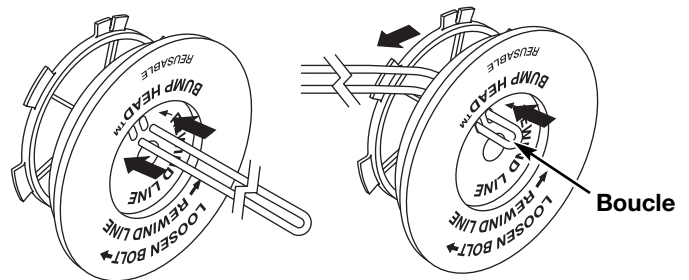


Fig. 27

7. Enroulez les fils en couches uniformes serrées sur le moulinet (Fig. 28). Enroulez le fil dans le sens indiqué sur le moulinet intérieur. Placez votre index entre les deux fils pour les empêcher de se superposer. Ne superposez pas les extrémités du fil. Passez à l'étape 11.

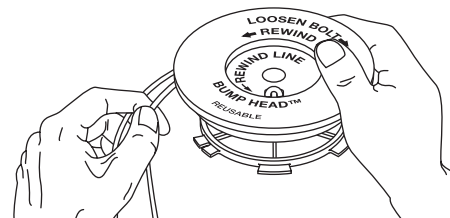


Fig. 28

Installation du SplitLine^{MC}

8. Découpez environ 2,5 m (8 pi) de fil neuf. Insérez une extrémité de fil dans l'un des deux trous du moulinet intérieur (Fig. 29). Tirez le fil jusqu'à ne laisser que 10 cm (4 po) environ.
9. Insérez l'extrémité du fil dans le trou ouvert du moulinet et tirez sur le fil pour que la boucle soit le plus petit possible (Fig. 29).
10. Avant de rembobiner le fil, séparez-le en deux sur une longueur d'environ 15 cm (6 po).

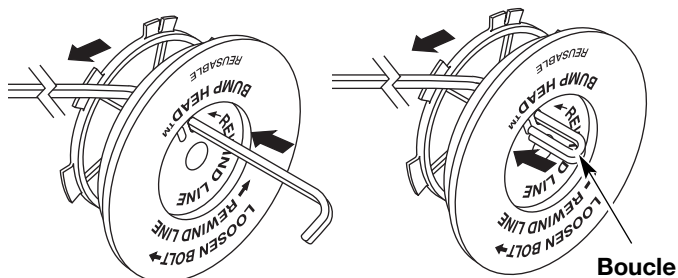


Fig. 29

11. Enroulez le fil en couches uniformes serrées dans le sens indiqué sur le moulinet intérieur.

REMARQUE : ne pas enrouler le fil dans le sens indiqué entraînera un mauvais fonctionnement de l'accessoire de coupe.

12. Insérez les extrémités du fil dans les deux fentes de retenue (Fig. 30).

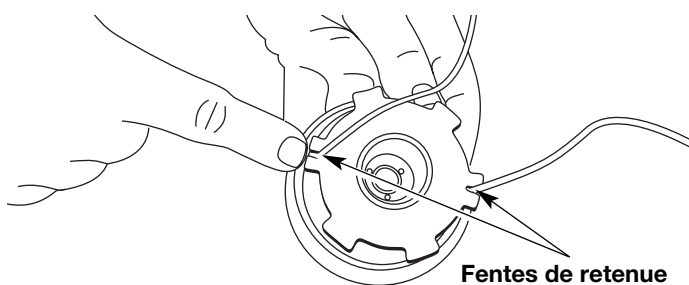


Fig. 30

13. Insérez les extrémités du fil dans les œillets de la bobine extérieure et placez le moulinet et le ressort dans la bobine (Fig. 31). Enfoncez le moulinet et la bobine ensemble. Tout en tenant le moulinet et la bobine, saisissez les extrémités et tirez fermement pour dégager le fil des fentes de retenue de la bobine.

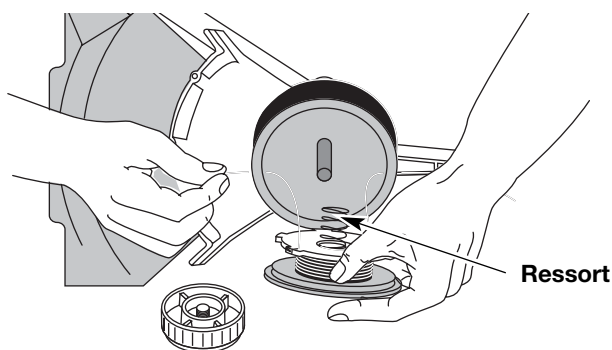


Fig. 31

REMARQUE : le ressort doit être installé dans le moulinet intérieur avant de remonter l'accessoire de coupe.

14. Maintenez le moulinet intérieur en place et installez le bouton de butée en le tournant à gauche. Vissez bien.

Installation d'un moulinet prérembobiné

1. Tenez la bobine extérieure d'une main et dévissez le bouton de butée vers à droite. Inspectez le boulon à l'intérieur du bouton de butée pour vous assurer qu'il se déplace librement. Remplacez le bouton de butée s'il est endommagé (Fig. 23).
2. Retirez l'ancien moulinet intérieur de la bobine extérieure (Fig. 23).
3. Retirez le ressort de l'ancien moulinet intérieur (Fig. 23).

4. Placez le ressort dans le moulinet intérieur neuf.

REMARQUE : le ressort doit être installé dans le moulinet intérieur avant de remonter l'accessoire de coupe.

5. Insérez les extrémités du fil dans les œillets de la bobine extérieure (Fig. 31).

6. Placez le moulinet intérieur neuf dans la bobine. Poussez le moulinet et la bobine ensemble. Tout en tenant le moulinet et la bobine, saisissez les extrémités et tirez fermement pour dégager le fil des fentes de retenue de la bobine.

7. Maintenez le moulinet intérieur en place et installez le bouton de butée en le tournant à gauche. Vissez bien.

ENTRETIEN DU FILTRE À AIR

Retrait du couvercle du filtre à air/silencieux

1. Mettez le levier bleu en Position 2.

REMARQUE: pour enlever le couvercle du filtre à air/silencieux, le levier bleu doit être en Position 2 (Fig. 32).

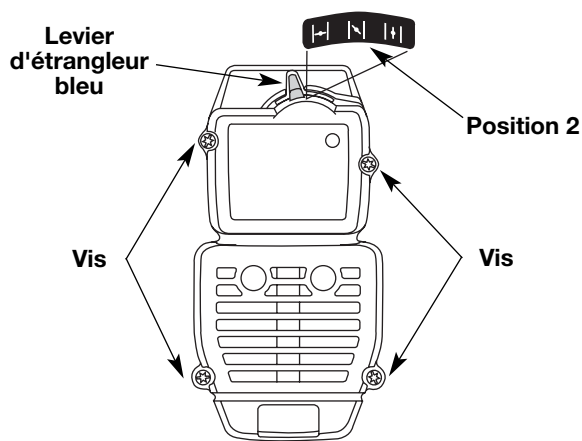


Fig. 32

2. Retirez les quatre (4) vis retenant le couvercle du filtre à air/silencieux (Fig. 32). Servez-vous d'un tournevis à mèche no. 20 Torx.

3. Retirez le couvercle du moteur. Ne forcez pas.

NETTOYAGE DU FILTRE À AIR

Nettoyez et lubrifiez le filtre à air à toutes les 10 heures de fonctionnement. C'est l'un des éléments les plus importants pour l'entretien. Tout manquement à l'entretien du filtre à air peut entraîner une baisse de performances ou causer des dégâts permanents à votre moteur.

1. Retirez le filtre à air/couvercle du silencieux. Voir la section *Retrait et installation du filtre à air/couvercle du silencieux*.
2. Retournez le couvercle et inspectez l'intérieur pour repérer le filtre à air. Retirez le filtre à air de l'intérieur du couvercle du filtre à air/silencieux (Fig. 33).

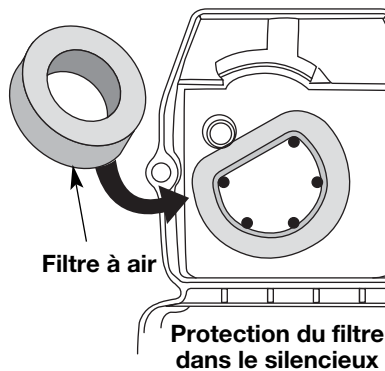


Fig. 33



Fig. 34

3. Lavez le filtre dans un mélange d'eau et de détergent (Fig. 34). Rincez le filtre abondamment. Essorez l'excédent d'eau. Laissez sécher complètement.

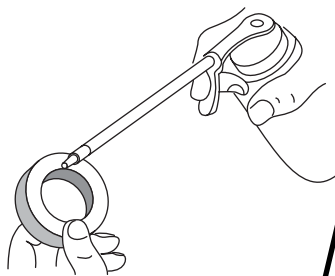


Fig. 35

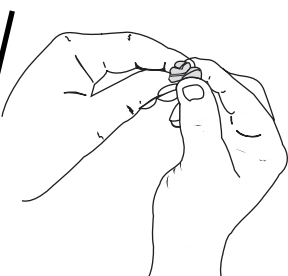


Fig. 36

4. Appliquez suffisamment d'huile propre SAE 30 pour enduire légèrement le filtre (Fig. 35).
5. Pressez le filtre pour répartir et drainer l'excédent d'huile (Fig. 36).
6. Remplacez le filtre à air dans le filtre à air/couvercle du silencieux (Fig. 33).

REMARQUE : l'utilisation de l'appareil sans filtre à air et sans ensemble filtre à air/couvercle du silencieux ANNULERA la garantie.

Réinstallation du filtre à air/couvercle du silencieux

1. Placez le filtre à air/couvercle du silencieux sur l'endos du carburateur et du silencieux. Alignez les trous à vis.
2. Insérez les quatre (4) vis dans les trous du filtre à air/couvercle du silencieux (Fig. 32) et vissez sans trop serrer.

ENTRETIEN DU PARE-ÉTINCELLES

1. Retirez le couvercle du filtre à air/silencieux. Voir *Retrait du couvercle du filtre à air/silencieux*.
2. Situez le pot d'échappement sans le retirer. Trouvez le vis sur la partie inférieure du pot d'échappement (Fig. 37). Retirez le vis en vous servant soit d'un tournevis torx #20 ou d'un tournevis plat.

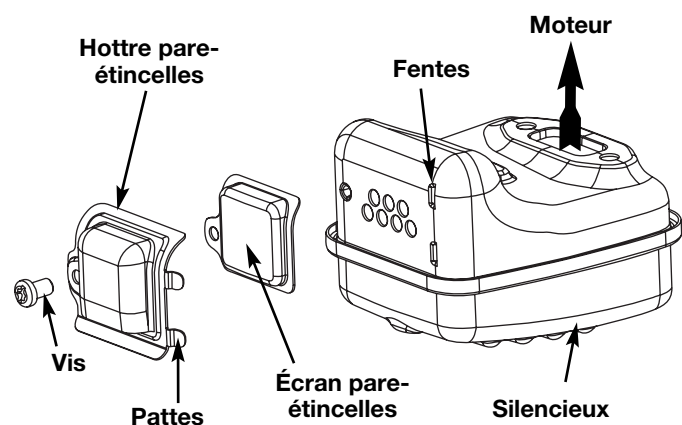


Fig. 37

3. Soulevez gentiment la couverture du pare-étincelles du côté gauche. Deux pattes servent de charnières sur le côté droit de la couverture. Ouvrez le couvercle du pare-étincelles comme une porte et faites sortir ses pattes des fentes dans le pot d'échappement.
4. En vous servant d'un petit tournevis plat, faites sortir gentiment l'écran du pare-étincelle de l'intérieur de la couverture du pare-étincelles.

5. Nettoyez l'écran du pare-étincelles à l'aide d'une brosse métallique. Remplacez-le s'il est endommagé ou si vous n'arrivez pas à le nettoyer complètement.
5. Réinstallez l'écran du pare-étincelles dans la couverture du pare-étincelles de façon à ce qu'il soit bien encastré.
6. Réinstallez les deux pattes de la couverture dans les fentes du pot d'échappement et fermez la couverture du pare-étincelles
8. Revissez le vis que vous avez retirées à l'étape 2 et serrez-le bien.
9. Remplacez le couvercle du filtre à air/silencieux.



AVERTISSEMENT: Si hottre pare-étincelles et écran pare-étincelles n'est pas solidement assujéti, il risque de tomber et d'endommager l'outil et de causer des blessures graves.

RÉGLAGE DU CARBURATEUR

Le régime ralenti du moteur est réglable par le couvercle du filtre à air/silencieux (Fig. 38).

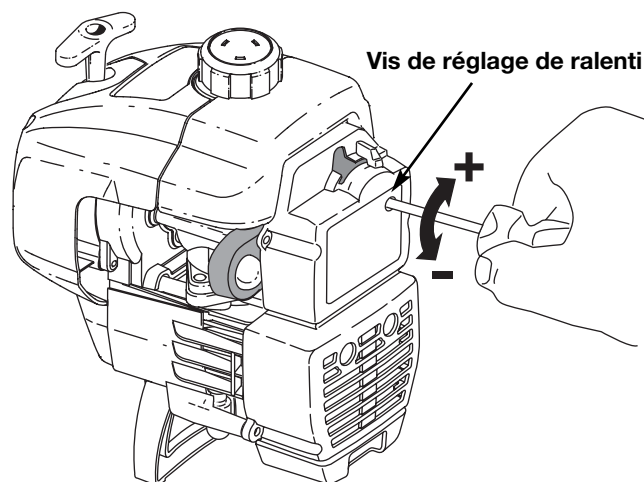


Fig. 38

REMARQUE : des réglages non soigneux peuvent endommager sérieusement l'appareil. Les réglages de carburateur doivent être faits par un concessionnaire agréé.

Vérification du mélange de carburant

En général, si l'appareil ne fonctionne pas correctement, c'est que le carburant est vieux ou mal mélangé. Videz puis remplissez le réservoir de carburant frais et bien mélangé avant d'effectuer des réglages. Voir la section *Informations sur l'huile et le carburant*.

Nettoyage du filtre à air

L'état du filtre à air est très important pour le fonctionnement de l'appareil. Un filtre à air sale restreint le débit d'air et affecte le mélange de carburant/air. On confond cela souvent avec un mauvais réglage du carburateur. Vérifiez l'état du filtre à air avant de régler la vis de réglage de ralenti. Voir *Entretien du filtre à air*.

Réglage de la vis de réglage de ralenti

Si le moteur ne se met toujours pas au ralenti après vérification du mélange de carburant et du nettoyage du filtre à air, réglez la vis de ralenti comme suit:

1. Démarrez le moteur et laissez-le tourner à haut régime pendant une minute pour se réchauffer. Voir les *Instructions de démarrage et d'arrêt*.
2. Relâchez le levier d'accélérateur et laissez le moteur au ralenti. Si le moteur s'arrête, insérez un petit tournevis à

embout cruciforme ou à tête plate dans le trou du filtre à air/couvercle du silencieux (Fig. 38). **Vissez** la vis de ralenti de 1/8 de tour à la fois (selon le besoin) jusqu'à ce que le moteur se mette bien au ralenti.

REMARQUE : l'accessoire de coupe ne devrait pas tourner lorsque le moteur est au ralenti.

3. S'il tourne, **dévissez** la vis de ralenti de 1/8 de tour à la fois (selon le besoin) pour réduire la vitesse de ralenti.

La vérification du mélange de carburant, le nettoyage du filtre à air et le réglage de la vis de ralenti devraient résoudre la plupart des problèmes de moteur. Dans le cas contraire et si :

- Le moteur ne se met pas au ralenti,
- Le moteur hésite ou se cale lors d'une accélération,
- Le moteur perd de la puissance,

faites régler le carburateur par un concessionnaire agréé.

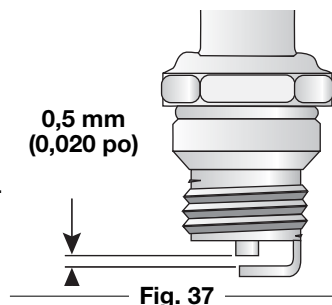


AVERTISSEMENT: il se peut que l'accessoire de coupe tourne pendant le réglage de la vitesse de ralenti. Portez des vêtements protecteurs et respectez toutes les consignes de sécurité pour éviter des blessures graves.

REPLACEMENT DE LA BOUGIE

Utilisez une bougie #610311 (ou un Champion RDJ7Y). L'écartement correct est de **0,5 mm (0,020 po)**. Retirez la bougie après **25 heures** de fonctionnement et vérifiez son état.

1. Arrêtez le moteur et laissez-le refroidir. Saisissez fermement le câble de la bougie et retirez le capuchon de celle-ci.
2. Nettoyez toute saleté de la bougie. Retirez la bougie de la culasse en tournant la douille de 5/8 po à gauche.
3. Remplacez toute bougie fendillée, encrassée ou sale. Réglez l'écartement à **0,5 mm (0,020 po)** à l'aide d'une jauge d'épaisseur (Fig. 37).
4. Installez la bougie avec un écartement correct dans la culasse en tournant la douille de 5/8 po à droite jusqu'à la bien visser.



Si vous utilisez une clé dynamométrique vissez avec les valeurs de couple suivantes **110-120 po•lb (12,3-13,5 N•m)**.

Évitez de trop serrer.



MISE EN GARDE: évitez de sabler, gratter ou nettoyer les électrodes car de la saleté dans le moteur pourrait endommager le cylindre.

NETTOYAGE



AVERTISSEMENT: une fois l'appareil éteint, pour éviter des blessures graves assurez-vous que l'accessoire de coupe est arrêté avant de poser l'appareil.

Nettoyez l'extérieur de l'appareil à l'aide d'une petite brosse. N'utilisez pas de détergents concentrés. Les nettoyants ménagers contenant des huiles aromatiques tel que le pin et le citron, et les solvants tel que le kérosène peuvent endommager le boîtier ou la poignée en plastique. Essayez toute trace d'humidité à l'aide d'un tissu doux.

ENTREPOSAGE

- Ne rangez jamais l'appareil plein de carburant dans un lieu où les vapeurs peuvent atteindre une flamme vive ou des étincelles.
- Laissez le moteur se refroidir avant de l'entreposer.
- Rangez l'appareil dans un lieu verrouillé pour éviter toute utilisation ou accident indésirable.
- Rangez l'appareil dans un lieu sec et bien aéré.
- Rangez l'appareil hors de la portée des enfants.

ENTREPOSAGE DE LONGUE DURÉE

Si vous comptez entreposer l'appareil pendant une longue période, appliquez la procédure suivante:

1. Videz tout le carburant du réservoir dans un récipient contenant le même mélange 2-temps. N'utilisez pas de carburant stocké pendant plus de 60 jours. Éliminez le vieux mélange de carburant conformément aux règlements fédéral, provincial et municipal en vigueur.
2. Démarrez le moteur, puis laissez-le tourner jusqu'à ce qu'il cale. Cela permet de s'assurer que le carburateur s'est vidé de son carburant.
3. Laissez le moteur refroidir. Retirez la bougie et versez environ 30 ml (1 oz) d'huile moteur ou d'huile moteur 4-temps de qualité dans le cylindre. Tirez lentement sur la corde de démarrage pour bien distribuer l'huile. Remplacez la bougie.

REMARQUE : retirez la bougie et videz toute l'huile du cylindre avant de mettre en marche la désherbeuse après une période d'entreposage.

4. Nettoyez soigneusement l'appareil et vérifiez qu'il ne comporte pas de pièces desserrées ou endommagées. Réparez ou remplacez les pièces endommagées, puis serrez les vis, écrous et boulons desserrés. L'appareil est alors prêt pour l'entreposage.

TRANSPORT

- Laissez le moteur refroidir avant le transport.
- Attachez bien l'appareil lors du transport.
- Videz tout le carburant de l'appareil.
- Serrez le bouchon du réservoir avant le transport.

GUIDE DE DÉPANNAGE

LE MOTEUR REFUSE DE DÉMARRER

CAUSE

Réservoir de carburant vide
La poire d'amorçage n'a pas été pressée assez fort
Moteur noyé
Carburant vieux ou mal mélangé
Bougie encrassée
Pare-étincelles colmaté
La température extérieure est inférieure à 40°F
La température extérieure est supérieure à 90°F

SOLUTION

Remplissez-le de carburant bien mélangé.
Pressez-la complètement et lentement de 10 fois
Utilisez la procédure de démarrage
Drainez le réservoir/ajoutez du carburant frais
Remplacez ou nettoyez-la
Nettoyez ou remplacez le pare-étincelles
Tirez sur le cordon de démarrage entre 10 et 15 fois
Appuyez sur la manette des gaz et tirez sur le cordon de démarrage

LE MOTEUR REFUSE DE SE METTRE AU RALENTI

CAUSE

Filtre à air bouché
Carburant vieux ou mal mélangé
Mauvais réglage du carburateur

SOLUTION

Remplacez ou nettoyez-le
Drainez le réservoir/ajoutez du carburant frais
Ajustez selon l'instruction

LE MOTEUR REFUSE D'ACCÉLÉRER

CAUSE

Carburant vieux ou mal mélangé
Mauvais réglage du carburateur
Accessoire de coupe engorgé d'herbes
Filtre à air sale
Pare-étincelles colmaté

SOLUTION

Drainez le réservoir/ajoutez du carburant frais
Faites-le régler par un concessionnaire agréé
Arrêtez le moteur et nettoyez l'accessoire
Remplacez ou nettoyez-le
Nettoyez ou remplacez le pare-étincelles

LE MOTEUR MANQUE DE PUISSANCE OU SE CALE DURANT LA COUPE

CAUSE

Carburant vieux ou mal mélangé
Mauvais réglage du carburateur
Bougie encrassée
Pare-étincelles colmaté

SOLUTION

Drainez le réservoir/ajoutez du carburant frais
Faites-le régler par un concessionnaire agréé
Remplacez ou nettoyez-la
Nettoyez ou remplacez le pare-étincelles

LA TÊTE DE COUPE NE FAIT PAS AVANCER LE FIL

CAUSE

Accessoire de coupe engorgé d'herbes
Accessoire de coupe mal aligné
Moulinet intérieur bloqué
Tête de coupe sale
Fil soudé
Fil tordu durant la recharge
Quantité insuffisante de fil exposée

SOLUTION

Arrêtez le moteur et nettoyez l'accessoire
Chargez du fil neuf
Remplacez le moulinet
Nettoyez le moulinet intérieur et la bobine extérieure
Démontez et déposez la partie soudée, et rembobinez le fil
Démontez puis rembobinez le fil
Enfoncez le bouton de butée et tirez le fil jusqu'à en extraire 102 mm (4 po) à l'extérieur de l'accessoire de coupe

LE FIL DE COUPE AVANCE DE MANIÈRE INCONTRÔLÉE

CAUSE

Présence d'huile dans la tête de coupe

SOLUTION

Nettoyez l'accessoire de coupe

Si vous avez besoin d'aide, contactez votre concessionnaire agréé.

CARACTERISTIQUES

MOTEUR*

Type de moteur.....	Refroidi par air, 2-temps
Course.....	31,75 mm (1,25 po)
Cylindrée.....	31 cc (1,9 po)
Type d'embrayage.....	Centrifuge
Régime ralenti.....	2.800 - 3.600 tr/min
Régime de fonctionnement (désherbeuse).....	6,100+ tr/min
Type d'allumage.....	Électronique
Contact d'allumage.....	Interrupteur berceau
Écartement de la bougie.....	0,5 mm (0,020 po)
Lubrification.....	Mélange carburant/huile
Rapport carburant/huile.....	40/1
Carburateur.....	Membrane, toutes positions
Démarrateur.....	Rembobinage automatique
Silencieux.....	Chicane avec protection
Accélérateur.....	Rappel manuel
Capacité du réservoir de carburant.....	355 ml (12 oz)

ARBRE D'ENTRAÎNEMENT ET ACCESSOIRE DE COUPE*

Logement de l'arbre d'entraînement.....	Tube en acier
Manette des gaz.....	Détente à portée du doigt avec déverrouilleur
Poids de l'appareil (sans carburant, avec poignée, protecteur et accessoire de coupe).....	7 kg (15 lbs)
Mécanisme de coupe.....	Lame de coupe à 4 dents, tête de coupe à fil double
Bobine de fil.....	Déclencheur de fil à butée
Diamètre de la bobine de fil.....	101,6 mm (4 po)
Diamètre du fil.....	2,41 mm (0,095 po)
Diamètre du chemin de coupe, accessoire de coupe.....	45,7 cm (18 po)
Diamètre du chemin de coupe, lame de coupe.....	204 mm (8 po)
Harnais d'épaule.....	Fermeture rapide unique

***Toutes les spécifications contenues dans ce manuel tiennent compte des dernières informations techniques disponibles au moment de mettre sous presse. Nous nous réservons le droit d'y apporter des modifications à tout moment, sans préavis.**

Garantie portant sur les normes antipollution de l'EPA et la California

Vos droits et obligations en vertu de cette garantie

Le California Air Resource Board, la Environmental Protection Agency et MTD LLC (MTD) ont le plaisir de présenter la garantie du dispositif antipollution des petits moteurs à usage tout-terrain datant de 2005 et au-delà. Les nouveaux petits moteurs à usage tout-terrain doivent être conçus, construits et équipés pour être conformes aux strictes normes anti-smog. MTD doit garantir le système de contrôle des émissions de votre petit moteur à usage tout-terrain pendant les périodes de temps indiquées ci-dessous à condition que le moteur n'ait pas souffert d'abus, de négligence ou fait l'objet d'un mauvais entretien.

Votre dispositif antipollution peut inclure des pièces diverses tel que le carburateur ou un système d'injection, le dispositif d'allumage et un convertisseur catalytique. Il pourrait aussi inclure des tuyaux, courroies, connecteurs et autres ensembles de pièces relatives aux émissions.

Advenant une situation couverte par la garantie, MTD réparera votre petit moteur à usage tout-terrain sans frais aucun y compris le diagnostic, les pièces et la main d'œuvre.

Les moteurs à usage tout-terrain datant de 2005 et plus sont garantis pendant deux ans. Si une pièce de votre moteur relative aux émissions devenait défectueuse, MTD la réparera ou la remplacera.

Responsabilités du propriétaire en vertu de cette garantie

- En tant que propriétaire d'un petit moteur à usage tout-terrain, vous êtes responsable des entretiens requis indiqués dans votre manuel de l'utilisateur. MTD recommande que vous conserviez tous les reçus d'entretien de votre petit moteur à usage tout-terrain. MTD ne peut toutefois réfuter votre garantie juste parce que vous n'avez pas les reçus ou si vous ne veillez pas à ce que les travaux d'entretien prévus soient effectués.
- En tant que propriétaire d'un petit moteur à usage tout-terrain, sachez que MTD peut refuser de vous couvrir sous garantie si votre moteur ou si une pièce sont défectueux pour cause d'abus, de négligence, d'entretien incorrect ou de modifications non autorisées.
- Il vous incombe de présenter votre petit moteur à usage tout-terrain à un centre de service agréé MTD dès que le problème fait son apparition. Les réparations sous garantie doivent être achevées dans une durée de temps raisonnable ne dépassant en aucun cas 30 jours.
- Si vous avez des questions au sujet de vos droits et responsabilités en vertu de cette garantie, appelez le **1-800-345-8746**.

Garantie du fabricant

- La période de garantie commence à la date où le moteur ou l'équipement est livré à l'acheteur au détail.
- Le fabricant garantit au propriétaire initial et à chaque acheteur subséquent que le moteur est libre de défauts de matériaux et de vices de fabrication pouvant provoquer la défaillance d'une pièce garantie pendant une période de deux ans.
- Toute réparation ou remplacement d'une pièce garantie devra être effectué sans aucun frais au compte du propriétaire par un centre de service MTD agréé. Pour connaître le centre le plus proche de vous, veuillez contacter MTD à : **1-800-345-8746**.
- Toute pièce garantie dont le remplacement n'est pas prévu dans le cadre des entretiens requis, ou dont uniquement une inspection normale est prévue selon le principe de "réparation ou remplacement au besoin", est garantie pendant la période de garantie. Toute pièce garantie dont le remplacement est prévu dans le cadre des entretiens requis sera garantie pendant la période de temps allant jusqu'à la date du premier remplacement prévu pour cette pièce.
- Le propriétaire ne subira pas de frais relatifs à un travail de diagnostic qui conclut que la pièce garantie est défectueuse si le travail de diagnostic a été effectué chez un centre de service MTD agréé.
- Le fabricant est responsable de tous les dommages occasionnés aux autres composants du moteur par la défaillance d'une pièce encore sous garantie.
- Les défaillances causées par l'abus, la négligence ou un mauvais entretien ne sont pas couvertes par cette garantie.
- L'utilisation d'un ajout ou de pièces modifiées peut justifier le refus d'une réclamation au titre de la garantie. Le fabricant n'est pas responsable des défaillances des pièces garanties découlant de l'utilisation d'ajouts ou de pièces modifiées.
- Pour déposer une réclamation, adressez-vous au centre de service MTD agréé le plus proche. Les services ou réparations sous garantie sont offerts par tous les centres de service MTD agréés.
- Toutes les pièces de rechange approuvées par le fabricant peuvent être utilisées dans le cadre d'un entretien ou d'une réparation sous garantie de pièces relatives au dispositif antipollution et sont fournies sans frais. Toute pièce de rechange équivalente en termes de performances ou de durabilité peut être utilisée lors d'un entretien ou d'une réparation hors garantie et ne diminue pas les obligations qui incombent au fabricant en vertu de la garantie.
- Les composants suivants sont inclus dans la garantie relative au système antipollution du moteur : filtre à air, carburateur, poire d'amorçage, conduites de carburant, alimentation d'arrivée, filtre à carburant, module d'allumage, bougie et silencieux.

GARANTIE LIMITÉE DU FABRICANT POUR:



La garantie limitée énoncée ci-après est accordée par MTD LLC (« MTD ») et concerne les marchandises neuves achetées et utilisées aux États-Unis, ainsi que dans leurs possessions et territoires.

MTD garantit ce produit contre tout vice de matière ou de façon pendant une période de deux (2) ans à compter de la date d'achat initiale et elle se réserve le choix de réparer ou de remplacer, à titre gratuit, toute pièce présentant un vice de matière ou de façon. Cette garantie limitée ne s'appliquera que dans la mesure où le produit aura été utilisé et entretenu conformément au Guide de l'utilisateur fourni avec le produit et n'aura pas fait l'objet d'un usage inadéquat, abusif, commercial ou négligent, d'un accident, d'un entretien inadéquat, d'une modification, de vandalisme, d'un vol, d'un incendie, de dégâts d'eau ou d'un endommagement résultant d'un autre péril ou d'un désastre naturel. Les dommages résultant de l'installation ou de l'utilisation de tout accessoire ou équipement non approuvé par MTD pour une utilisation avec le(s) produit(s) couvert(s) par le présent guide annuleront la garantie et ce qui concerne les dommages qui en résulteraient éventuellement. La présente garantie est limitée à quatre-vingt-dix (90) jours à compter de la date d'achat au détail initiale pour tout produit MTD utilisé à des fins locatives ou commerciales, ou toute utilisation produisant des revenus.

POUR L'ENTRETIEN-DÉPANNAGE : L'Entretien-dépannage au titre de la garantie est disponible, SUR PRÉSENTATION DE PREUVE D'ACHAT, AUPRÈS DU DISTRIBUTEUR AGRÉÉ LOCAL. Pour obtenir le nom du distributeur agréé local, consulter les Pages Jaunes ou se mettre en rapport avec le Service après-vente de MTD en appelant le **1-800-345-8746** ou en écrivant au P.O. Box 361131, Cleveland OH 44136-0019 ou en appelant le **1-800-668-1238** au Canada. Aucun produit retourné à l'usine sans permission écrite préalable du service après-vente de MTD ne sera accepté.

La garantie limitée n'offre aucune couverture dans les cas suivants :

- A. Mises au point – Bougies, réglages de carburateur, filtres.
- B. Articles d'usure – Bouton de butée, bobines extérieures, fil de coupe, bobines intérieures, poulie de démarrage, cordes de démarrage, courroies d'entraînement.
- C. MTD n'accorde aucune garantie pour les produits vendus ou exportés des États-Unis, de leurs possessions et territoires, exception faite en ce qui concerne les produits vendus par l'intermédiaire de ses canaux agréés de distribution à l'exportation.

MTD se réserve le droit de modifier ou d'améliorer la conception de tout produit MTD sans assumer l'obligation de modifier tout produit d'une fabrication plus ancienne.

Aucune garantie implicite, y compris toute garantie de valeur marchande ou d'adaptation à une fin particulière, ne s'applique après la période applicable de garantie expresse écrite ci-dessus concernant les pièces qui sont identifiées. Aucune autre garantie ou caution expresse, écrite ou orale, à l'exception de celle mentionnée ci-dessus, accordée par toute personne ou entité, y compris tout distributeur ou détaillant, concernant tout produit n'engagera la responsabilité de MTD. Pendant la période de garantie, le remède exclusif est la réparation ou le remplacement du produit dans les conditions énoncées ci-dessus. (Certains états ne permettent pas la limitation de la garantie implicite, il est donc possible que la limitation ci-dessus ne s'applique pas à vous.)

Les clauses énoncées dans la présente Garantie constituent le recours unique et exclusif inhérent aux ventes. MTD ne sera en aucun cas tenue pour responsable de tout dommage indirect ou consécutif ou de dommages comprenant, entre autres mais pas seulement, les dépenses encourues du fait du recours à des services de remplacement ou de substitution pour l'entretien des pelouses, le transport ou des frais connexes, ou les frais entraînés par une location destinée à remplacer provisoirement un produit sous garantie. (Certains états ne permettent pas la limitation de la garantie implicite, il est donc possible que la limitation ci-dessus ne s'applique pas à vous.)

Aucun recouvrement, quel qu'il soit, ne sera d'un montant supérieur au prix du produit vendu. Toute modification des dispositifs de sécurité du produit annulera la présente Garantie. Vous assumez tout risque et toute responsabilité résultant de la perte, de l'endommagement ou du préjudice que vous et votre propriété et/ou d'autres et leur propriété pourront encourir du fait de l'utilisation normale, de la mauvaise utilisation ou de l'empêchement d'utiliser le produit.

La présente garantie limitée n'est accordée qu'à l'acheteur initial, au preneur initial ou à la personne à laquelle le produit a été offert.

Le Droit des États vis à vis de la présente garantie : la présente garantie vous confère certains droits juridiques, et vous pouvez bénéficier d'autres droits, lesquels varient d'une juridiction à l'autre.

Pour obtenir l'adresse du distributeur agréé le plus proche, composer le : **1-800-345-8746** aux États-Unis ou le **1-800-668-1238** au Canada.

MTD LLC

P.O. Box 361131
Cleveland, OH 44136-0019



Manuel del Dueño/Operador

Recortador/ Cortamalezas de 2 Ciclos Y780



CONSERVE ESTAS INSTRUCCIONES

Llame **1-800-345-8746** en EE.UU. o al **1-800-668-1238** en Canada para obtener una lista de distribuidores de servicio localizados cerca de usted. Para obtener más detalles sobre su unidad, visite nuestro sitio en www.mtdproducts.com.

NO REGRESE SU UNIDAD AL VENDEDOR. PARA SOLICITAR SERVICIO POR LA GARANTIA, DEBERA PRESENTAR PRUEBA DE SU COMPRA.

ESTE PRODUCTO ESTA CUBIERTO POR UNA O MAS PATENTES DE EE.UU., OTRAS PATENTES EN TRAMITE.

El servicio a esta unidad, tanto dentro del periodo de garantía como después de vencido éste, debe ser realizado únicamente por un proveedor de servicio autorizado y aprobado.

PARACHISPAS

NOTA: Para los usuarios en tierras forestales de los EE.UU. y en los estados de California, Maine, Oregon y Washington. Todos los terrenos forestales de los EE.UU. y el estado de California (Códigos de Recursos Públicos 4442 y 4443), Oregon y Washington, requieren por decreto, que ciertos motores de combustión interna que se hagan funcionar en zonas boscosas y/o zonas cubiertas por pastizales, estén equipados con un parachispas, que sean mantenidos en buen estado de funcionamiento o que el motor sea construido, esté equipado y sea mantenido para evitar incendios. Consulte los reglamentos pertinentes a esos requisitos con las autoridades estatales o locales. El incumplimiento de esos requisitos puede responsabilizarle o someterle a la imposición de una multa. **Esta unidad fue equipada en la fábrica con un parachispas.** Si requiere sustitución, hay una **Pantalla Parachispas disponible, Pieza # 753-05169** al contactar el departamento de servicio.

PROPOSICIÓN 65 DE CALIFORNIA

	WARNING	
<p>THE ENGINE EXHAUST FROM THIS PRODUCT CONTAINS CHEMICALS KNOWN TO THE STATE OF CALIFORNIA TO CAUSE CANCER, BIRTH DEFECTS OR OTHER REPRODUCTIVE HARM.</p>		

Toda la información, las ilustraciones y las especificaciones contenidas en este manual se basan en la información más reciente disponible en el momento de impresión del manual. Nos reservamos el derecho de hacer cambios en cualquier momento sin aviso previo.

Copyright© 2005 MTD SOUTHWEST INC. Todos los derechos reservados.

INDICE DE CONTENIDOS

Llamadas a apoyo al cliente	E1
Normas para una operación segura	E2
Información del aceite y del combustible	E3
Conozca su unidad	E4
Instrucciones de ensamble	E4
Instrucciones de arranque y apagado	E7
Instrucciones de operación	E8
Instrucciones de mantenimiento y reparación	E9
Limpieza y almacenamiento	E13
Cuadro de solución de problemas	E14
Especificaciones	E15
Garantía	E17, E20
Lista de Piezas	E18

	<p>ADVERTENCIA: Al utilizar la unidad, debe observar las reglas de seguridad. Lea estas instrucciones antes de operar la unidad a fin de garantizar la seguridad del operador y cualquier transeúnte. Guarde estas instrucciones para uso posterior.</p>
--	---

NORMAS PARA UNA OPERACION SEGURA

• IMPORTANTE INFORMACION DE SEGURIDAD •

LEA TODAS LAS INSTRUCCIONES ANTES DE LA OPERACION

- Lea todas las instrucciones con cuidado. Conozca bien los controles y el uso correcto de la unidad.
- No opere esta unidad si está cansado, enfermo, o bajo los efectos del alcohol, drogas o medicamentos.
- Los niños y los adolescentes menores de 15 años no deben operar las unidades, excepto por los adolescentes guiados por un adulto.
- Inspeccione la unidad antes de utilizarla. Cambie las partes dañadas. Verifique si existen pérdidas de combustible. Asegúrese de que los sujetadores estén bien colocados y asegurados. Cambie las partes accesorias de corte que estén quebradas, cascadas o dañadas de cualquier forma. Asegúrese de que el accesorio de corte está bien instalado y ajustado con firmeza. Asegúrese de que la protección accesorio de corte esté bien conectada y colocada según se recomienda.
- Use sólo línea despiral Hassle Free III™ XTRA QUIET. No use nunca línea reforzada con metal, alambre, cadena ni sogas, etc. Estas pueden desprenderse y convertirse en un proyectil peligroso.
- Tenga en cuenta el riesgo de lesiones en la cabeza, manos y pies.
- Oprima el control del regulador y verifique que regrese automáticamente a la posición de mínima. Haga todos los ajustes o reparaciones antes de usar la unidad.
- Limpie el área de corte antes de cada uso. Retire todos los objetos como rocas, vidrios rotos, clavos, alambre o cuerda los cuales pueden ser despedidos o enredarse en el accesorio de corte. Aleje a todos los niños, espectadores y animales domésticos. Mantenga todos los niños, espectadores y animales domésticos a un radio de por lo menos 50 pies (15 m); aún así puede existir un riesgo de objetos despedidos contra los espectadores. Los espectadores deben usar protección para sus ojos. Si alguien se le acerca, pare el motor y el accesorio de corte de inmediato.
- Esta unidad no fue diseñada para ser usada como cortamalezas. No conecte ni opere esta unidad con ningún tipo de cuchilla ni accesorio para cortar malezas.

ADVERTENCIAS DE SEGURIDAD PARA LOS RECORTADORES A GASOLINA



ADVERTENCIA: La gasolina es muy inflamable y sus gases pueden explotar si se encienden. Tome las siguientes precauciones:

- Guarde el combustible en envases que hayan sido diseñados y aprobados para el almacenamiento de dichos materiales.
- Antes de llenar el tanque de combustible, apague siempre el motor y espere que se enfríe. No retire nunca la tapa del tanque de combustible ni cargue combustible mientras el motor esté caliente. No opere nunca la unidad sin la tapa del combustible colocada firmemente en su lugar. Afloje la tapa del combustible lentamente para disipar la presión del tanque.
- Mezcle y cargue el combustible en un área exterior bien ventilada donde no haya chispas ni llamas. Quite lentamente la tapa del combustible sólo después de apagar el motor. No fume mientras carga o mezcla el combustible. Limpie de inmediato todo el combustible que se haya derramado.
- Evite crear una fuente de encendido por combustible derramado. No arranque el motor hasta que se hayan disipado los vapores del combustible.
- Aleje la unidad a por lo menos 30 pies (9.1 m.) del lugar de carga de combustible antes de arrancar el motor. No fume, mantenga las chispas y las llamas abiertas lejos del área mientras carga el combustible u opera la unidad.

DURANTE LA OPERACION

- No arranque ni opere la unidad en una sala o edificio cerrado. Los gases de escape de monóxido de carbono pueden ser letales en un área cerrada. Opere esta unidad sólo en un área exterior bien ventilada.
- Use lentes o gafas de protección que cumplan con las normas ANSI Z87.1, y protección para sus oídos/audición mientras opere esta unidad. Use siempre una máscara facial o para protegerse contra el polvo si la operación levanta polvo.

- Use pantalones largos y gruesos, botas, guantes y camisa de manga larga. No use ropa holgada, alhajas, pantalones cortos, sandalias ni esté descalzo. Sostenga el cabello sobre el nivel de los hombros.
- La protección accesorio de corte debe estar siempre colocada en su lugar mientras opere la unidad. No opere la unidad con las dos líneas de corte extendidas, y la línea correcta instalada. No extienda la línea de corte más allá de la longitud de la protección.
- Esta unidad no tiene embrague. El accesorio de corte continúa girando cuando el motor está en marcha en vacío. Para evitar lesiones, haga que un técnico de servicio autorizado ajuste la unidad.
- Ajuste la manija a su tamaño de modo que le brinde el mejor agarre.
- Asegúrese de que el accesorio de corte no está en contacto con ningún objeto antes de arrancar la unidad.
- Use la unidad únicamente con la luz del día o con buena luz artificial.
- Evite arrancar la unidad accidentalmente. Colóquese en posición de inicio siempre que tire de la cuerda de arranque. El operador y la unidad deben estar en una posición estable al comenzar. Lea las *instrucciones de Arranque y Apagado*.
- Use la herramienta adecuada. No use esta unidad para ninguna tarea para la cual no ha sido diseñada.
- No se estire demasiado. Mantenga siempre una posición y equilibrio adecuados.
- Sostenga siempre la unidad con ambas manos mientras esté en funcionamiento. Sostenga con firmeza tanto el mango como la manija auxiliar.
- Mantenga las manos, la cara y los pies lejos de todas las partes móviles. No intente tocar ni detener el accesorio de corte mientras gira.
- No toque el motor, el bastidor del engranaje ni el silenciador. Estas partes se calientan mucho con la operación. Luego de apagar la unidad, permanecen calientes durante un tiempo breve.
- No opere el motor a una velocidad mayor que la necesaria para cortar, recortar o recortar los bordes. No haga funcionar el motor a alta velocidad mientras no está cortando.
- Apague siempre el motor cuando demore el corte o mientras camina entre zonas de corte.
- Si golpea o se enreda con algún objeto extraño, apague el motor de inmediato y verifique si hay daños. Repare todos los daños antes de volver a intentar operar la unidad. No opere la unidad si tiene piezas flojas o dañadas.
- Apague el motor para realizar todo el mantenimiento, reparaciones o cambio del accesorio de corte u otros accesorios.
- Use sólo piezas y accesorios de repuesto del fabricante del equipo original para esta unidad. Puede obtenerlos en su proveedor de servicio autorizado. El uso de piezas y accesorios que no son equipo original; puede causar graves lesiones al operador o el daño de su unidad, y la cancelación de su garantía.
- Mantenga la unidad libre de vegetación y otros materiales. Pueden alojarse entre el accesorio de corte y la protección.
- Para reducir el riesgo de incendio, cambie los silenciadores y amortiguadores de chispas defectuosos, mantenga el motor y el silenciador libre de pasto, hojas, grasa excesiva o acumulaciones de carbono.

OTRAS ADVERTENCIAS DE SEGURIDAD

- No guarde nunca la unidad con combustible en el tanque en un edificio donde los gases puedan llegar a una llama abierta o a una chispa.
- Espere que el motor se enfríe antes de guardar o transportar la unidad. Asegúrese de que la unidad esté segura al transportarla.
- Guarde la unidad bajo llave en un lugar adecuado y seco para evitar que sea usada por personas no autorizadas y se dañe, fuera del alcance de los niños.
- Nunca moje ni rocíe la unidad con agua ni con ningún otro líquido. Mantenga las manijas secas, limpias y sin residuos. Limpie la unidad luego de cada uso, lea las instrucciones de *Limpieza y Almacenamiento*.
- Guarde estas instrucciones. Consúltelas con frecuencia y utilícelas para enseñar a otros usuarios. Si le presta esta unidad a alguien, préstele también estas instrucciones.

CONSERVE ESTAS INSTRUCCIONES

NORMAS PARA UNA OPERACION SEGURA

SIMBOLOS DE SEGURIDAD E INTERNACIONALES

Este manual del operador describe los símbolos y figuras de seguridad e internacionales que pueden aparecer en este producto. Lea el manual del operador para obtener información completa acerca de la seguridad, ensamble, operación y mantenimiento y reparación.

SIMBOLO	SIGNIFICADO	SIMBOLO	SIGNIFICADO
	<ul style="list-style-type: none"> SIMBOLO DE ALERTA DE SEGURIDAD Indica peligro, advertencia o precaución. Puede ser utilizado junto con otros símbolos o figuras. 		<ul style="list-style-type: none"> CONTROL DE ENCENDIDO Y APAGADO ENCENDIDO /ARRANQUE /MARCHA
	<ul style="list-style-type: none"> ADVERTENCIA - LEA EL MANUAL DEL OPERADOR Lea el manual del operador y siga todas las advertencias e instrucciones de seguridad. De no hacerlo, el operador y/o los espectadores pueden sufrir graves lesiones. 		<ul style="list-style-type: none"> CONTROL DE ENCENDIDO Y APAGADO APAGADO o PARADO
	<ul style="list-style-type: none"> USE PROTECCION OCULAR Y AUDITIVA ADVERTENCIA : Los objetos arrojados por la unidad y el ruido fuerte pueden causar graves lesiones oculares y pérdida auditiva. Utilice protección ocular que cumpla con las normas ANSI Z87.1 y protección auditiva cuando opere esta unidad. Use una careta completa cuando la necesite. 		<ul style="list-style-type: none"> MANTENGA ALEJADOS A LOS ESPECTADORES ADVERTENCIA: Mantenga a todos los espectadores, en especial a niños y animales domésticos a por lo menos 50 pies (15 m) del área de corte.
	<ul style="list-style-type: none"> ADVERTENCIA DE CALIENTE No toque un silenciador ni un cilindro caliente. Puede quemarse. Estas partes se calientan mucho con el uso. Luego de apagarse permanecen calientes durante un corto tiempo. 		<ul style="list-style-type: none"> CONTROL DE ESTRANGULACIÓN A • Posición de ESTRANGULACIÓN COMPLETA. B • Posición de ESTRANGULACIÓN PARCIAL. C • Posición de MARCHA
	<ul style="list-style-type: none"> COMBUSTIBLE SIN PLOMO Use siempre combustible limpio, nuevo y sin plomo. 		<ul style="list-style-type: none"> LOS OBJETOS DESPEDIDOS Y LA CUCHILLA ROTATIVA PUEDEN CAUSAR GRAVES LESIONES ADVERTENCIA: No opere esta unidad si la protección plástica de línea no está colocada en su lugar. Manténgase alejado del accesorio de corte giratorio.
	<ul style="list-style-type: none"> INDICADOR DE ACEITE Consulte el manual del operador para obtener información acerca del tipo correcto de aceite. 		<ul style="list-style-type: none"> CUCHILLA AFILADA ADVERTENCIA : La protección del accesorio de corte contiene una cuchilla afilada. Para prevenir graves lesiones, no toque la cuchilla.
	<ul style="list-style-type: none"> BOMBILLA DEL CEBADOR Oprima la bombilla del cebador completa y lentamente, de 5 a 7 veces. 		<ul style="list-style-type: none"> SEGURIDAD DE LA RECORTADORA Y CORTADORA DE MALEZAS ADVERTENCIA: Los objetos que salen despedidos y la cortadora giratoria pueden causar graves lesiones. Mantenga a los espectadores, especialmente a los niños y animales domésticos a no menos de 50 pies (15 m) de distancia del área de corte. Debe utilizar el protector accesorio de corte mientras use el accesorio de corte de la recortadora.
	<ul style="list-style-type: none"> CORTADORAS DE MALEZAS: Cambie la cuchilla desafilada No afile la cuchilla de corte. El afilar la cuchilla puede causar que la punta se desprenda mientras está en uso. Esto puede dar lugar a graves lesiones personales. 		

INFORMACION DEL ACEITE Y DEL COMBUSTIBLE

ADVERTENCIA: La gasolina es muy inflamable. Los gases pueden explotar si se encienden. Apague siempre el motor y espere que se enfríe antes de cargar el tanque de combustible. No fume mientras llena el tanque. Mantenga las chispas y las llamas lejos del área.

ADVERTENCIA: Saque la tapa del combustible lentamente para evitar lesionarse con el rociado del combustible. No opere nunca la unidad sin la tapa del combustible firmemente colocada en su lugar.

INSTRUCCIONES PARA MEZCLAR EL ACEITE Y EL COMBUSTIBLE

El combustible viejo o mal mezclado son los motivos principales del mal funcionamiento de la unidad. Asegúrese de usar combustible nuevo, limpio y sin plomo. Siga las instrucciones en detalle para mezclar correctamente el aceite y el combustible.

NOTA: 3,8 litros (un galón) de gasolina sin plomo mezclada con una botella de 95 mL (3,2 onzas) de aceite de 2 ciclos es una proporción de 40:1 de combustible y aceite.

Definición de los combustibles de mezcla

Los combustibles actuales con frecuencia son una mezcla de

	+	
GASOLINA SIN PLOMO		ACEITE DE 2 CICLOS
3,8 LITROS (1 GALON de EE.UU.)		95 mL (3,2 ONZAS FLUIDAS)
1 LITRO		25 mL

PROPORCION DE LA MEZCLA = 40 : 1

INFORMACION DEL ACEITE Y DEL COMBUSTIBLE

gasolina y oxigenantes como por ejemplo etanol, metanol o MTBE (éter). El combustible mezclado con alcohol absorbe agua. Una cantidad tan pequeña como el 1% de agua en el combustible puede causar la separación del combustible y el aceite. Forma ácidos cuando está almacenado. Cuando use combustible mezclado con alcohol, use combustible nuevo (de menos de 60 días).

Uso de combustibles de mezcla

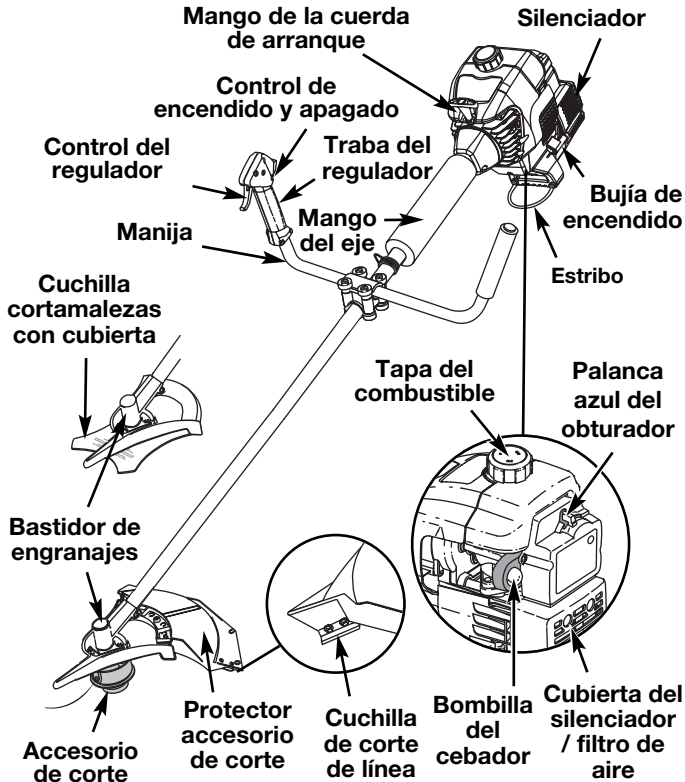
Si usted opta por usar un combustible de mezcla o si su uso es inevitable, tome las precauciones recomendadas.

- Use siempre una mezcla fresca de combustible según lo indica su manual del operador.
- Agite siempre la mezcla de combustible antes de cargarlo en la unidad.
- Drene el tanque y haga funcionar el motor en seco antes de guardar la unidad.

Uso de aditivos en el combustible

La botella de aceite de 2 ciclos que vino con su unidad contiene un aditivo en el combustible que ayudará a inhibir la corrosión y a reducir la formación de depósitos de goma. Se recomienda que use sólo el aceite de 2 ciclos con esta unidad. Si es inevitable, use un buen aceite de 2 ciclos elaborado para motores enfriados por aire junto con un aditivo para el combustible como por ejemplo el estabilizador de gasolina Craftsman o similar. Agregue 23 mL (0,8 onzas) de aditivo de combustible por galón de combustible de acuerdo con las instrucciones del envase.

CONOZCA SU UNIDAD



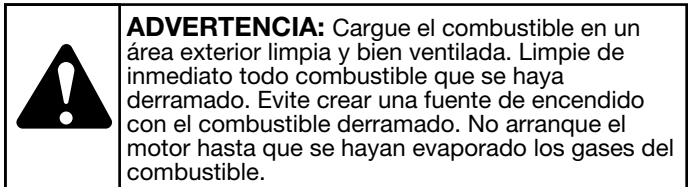
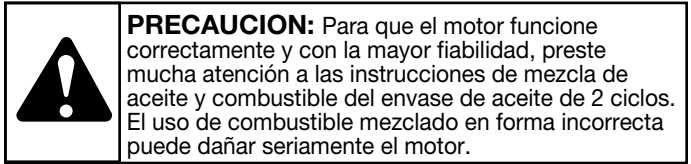
APLICACIONES

Como recortadora:

- Corte de césped y hierbas delgadas
- Recorte decorativo alrededor de árboles, cercos, etc.

NUNCA agregue aditivos directamente en el tanque de combustible de la unidad. Mezcle bien la proporción correcta de aceite para motor de 2 ciclos y gasolina sin plomo en una lata de combustible por separado. Use una proporción de 40:1 de combustible y aceite. No los mezcle directamente en el tanque de combustible de la unidad. Consulte las proporciones específicas de mezcla de gasolina y aceite en la tabla siguiente.

NOTA: Elimine la mezcla vieja de aceite y combustible de acuerdo con los reglamentos federales, estatales y locales.



INSTRUCCIONES DE ENSAMBLAJE

INSTALACION Y AJUSTE DE LA BARRA DE LA MANIJA

1. Coloque la barra de la manija entre las abrazaderas media y superior (Fig. 1).

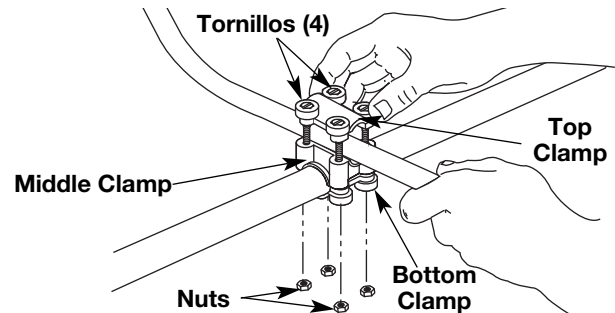


Fig. 1

2. Mientras sostiene las tres piezas juntas, instale los cuatro (4) tornillos a través de la abrazadera superior y dentro de la abrazadera media.

NOTA: Los orificios de la abrazadera media y superior se alinearán sólo cuando estén alineados en forma correcta.

3. Coloque las abrazaderas y la barra de la manija encima del bastidor del eje y sobre la abrazadera inferior.

4. Sostenga cada tuerca hexagonal en el hueco de la abrazadera inferior con un dedo. Comience los tornillos con un destornillador Phillips grande. No los apriete hasta haber ajustado la barra de la manija.
5. Mientras sostiene la unidad en posición de operación (Fig. 20), ubique la barra de la manija en el lugar que le brinde el mejor agarre.

6. Ajuste los tornillos de la abrazadera en forma pareja, hasta que la barra de la manija esté segura.



Fig. 2

INSTRUCCIONES DE ENSAMBLE

INSTALACIÓN DEL ARNÉS



ADVERTENCIA: Use siempre el arnés para el hombro cuando use la cuchilla de corte a fin de evitar graves lesiones personales.

1. Pase la correa a través del centro de la hebilla.
2. Pase la correa sobre la barra transversal y hacia abajo a través de la ranura de la hebilla (Fig. 3).

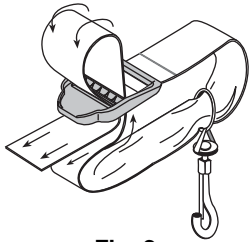


Fig. 3

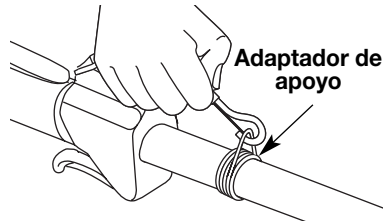


Fig. 4

3. Coloque el arnés por encima de su cabeza y sobre su hombro. Abroche en el adaptador de apoyo (Fig. 4).
4. Ajuste la longitud de acuerdo a la medida del operador. Tire de la orejeta para alargarlo y tire de la correa para acortarlo (Fig. 5).

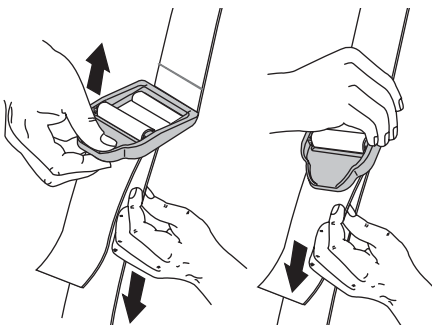


Fig. 5

REMOCIÓN E INSTALACIÓN DEL PROTECTOR ACCESORIO DE CORTE

Saque el protector accesorio de corte cuando use la unidad como cortador de malezas



ADVERTENCIA: El protector accesorio de corte NO debe estar instalado cuando use la unidad con una cuchilla. Saque el protector accesorio de corte antes de sacar o instalar la cuchilla.

Saque el protector accesorio de corte del montaje del protector retirando los tres (3) tornillos con un destornillador de vástago plano (Fig. 6). Guarde las piezas para usarlas en el futuro.

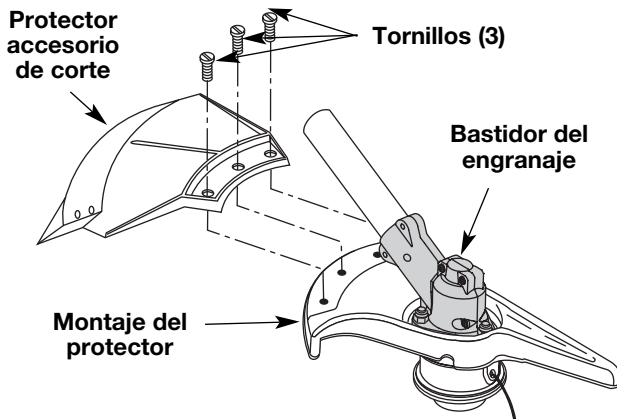


Fig. 6

Instale el protector accesorio de corte cuando use la unidad como recortador de césped.

Instale el protector accesorio de corte en el montaje del

protector insertando 3 tornillos en el montaje del protector. Ajuste bien con un destornillador de vástago plano (Fig. 6).



ADVERTENCIA: Para evitar graves lesiones personales, el protector accesorio de corte DEBE estar instalado en todo momento cuando use la unidad como recortador de césped.

REMOCIÓN DEL ACCESORIO DE CORTE/ INSTALACIÓN DE LA CUCHILLA DE CORTE



ADVERTENCIA: El bastidor del engranaje se calienta mucho con el uso y puede causar lesiones al operador. Cuando la unidad se apaga, permanece caliente durante un rato. No toque el bastidor del engranaje hasta que se haya enfriado.

NOTA: Para facilitar la remoción o la instalación de la cuchilla de corte, coloque la unidad sobre el suelo o sobre un banco de trabajo.

Remoción del protector accesorio de corte

Lea *Remoción e Instalación del Protector Accesorio de Corte*.

Remoción del accesorio de corte

1. Alinee el orificio del buje del eje con la ranura de la varilla de cierre e inserte la varilla de cierre en el orificio del buje del eje (Fig. 7).

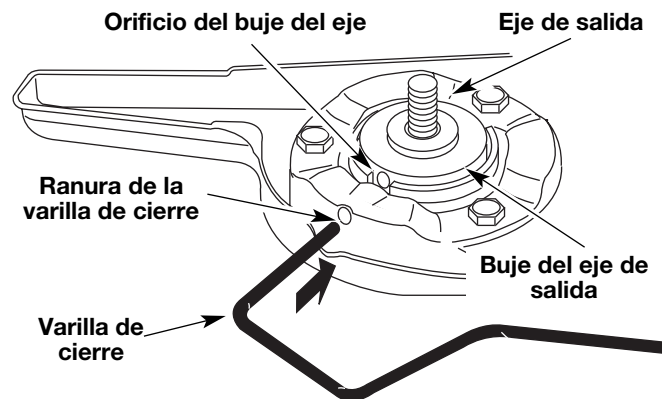


Fig. 7

2. Sostenga la varilla de cierre en su lugar junto al brazo de la unidad (Fig. 8).
3. Mientras sostiene la varilla de cierre, saque el accesorio de corte girando en sentido horario hacia afuera del eje de salida (Fig. 9). Guarde el accesorio de corte para su uso futuro.

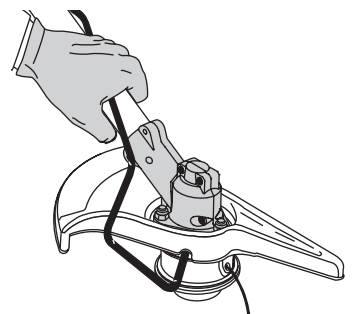


Fig. 8

NOTA: El retén de la cuchilla

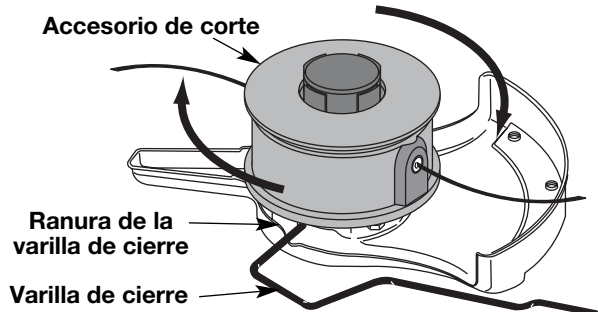


Fig. 9

ASSEMBLY INSTRUCTIONS

debajo del accesorio de corte se utilizará cuando instale la cuchilla de corte.



ADVERTENCIA: Para evitar graves lesiones personales, use siempre guantes cuando maneje o instale la cuchilla.

Instalación de la cuchilla de corte

- Coloque la cuchilla de corte en el buje del eje de salida (Fig. 10).

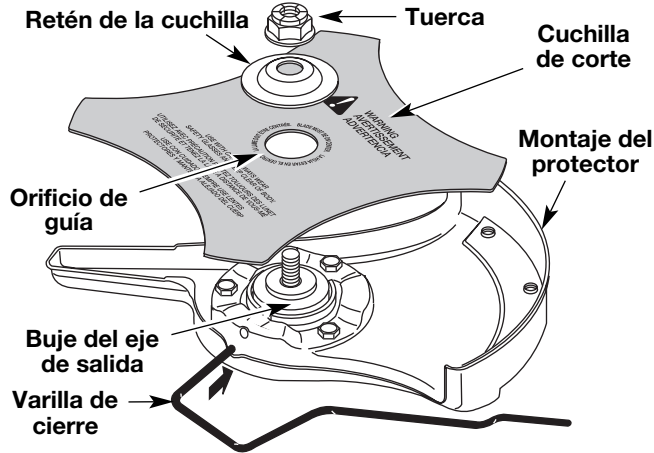


Fig. 10

- Verifique que la cuchilla de corte esté centrada en el estribo de guía y quede plana contra el buje del eje de salida (Fig. 11).



ADVERTENCIA : Si la cuchilla de corte no está centrada, la unidad vibrará y la cuchilla puede desprenderse y salir volando, lo cual puede causar graves lesiones personales.

- Alinee el orificio del buje del eje con la ranura de la varilla de cierre e inserte la varilla de cierre en el orificio del buje (Fig. 7).
- Coloque el retén de la cuchilla y la tuerca en el eje de salida. Verifique que la cuchilla esté bien instalada.
- Ajuste la tuerca en sentido antihorario contra la cuchilla mientras sostiene la varilla de cierre;
 - Si usa una llave de torsión y un casquillo de 13 mm, ajuste a: **325- 335 pulg•libra, 27- 28 pies•libra, 37 -38 N•m.**
 - Si no tiene una llave de torsión, use una llave de boca cerrada de 13 mm o de casquillo, gire la tuerca hasta que el retén de la cuchilla esté ajustado contra el buje del eje. Verifique que la cuchilla esté bien instalada, luego gire la tuerca 1/4 a 1/2 vuelta más en sentido antihorario (Fig. 12).
- Saque la varilla de cierre de la ranura de la varilla de cierre.

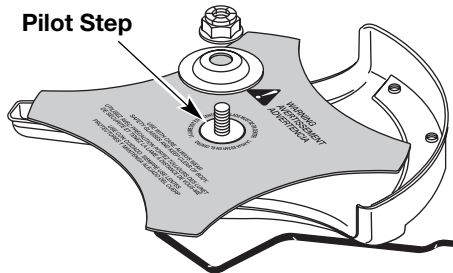


Fig. 11



ADVERTENCIA : Para evitar graves lesiones personales o el daño de la unidad, no arranque ni use esta unidad con la varilla de cierre en la ranura de la varilla de cierre.

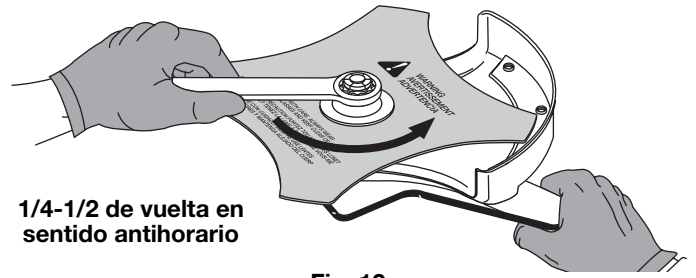


Fig. 12

REMOCIÓN DE LA CUCHILLA DE CORTE E INSTALACIÓN DEL ACCESORIO DE CORTE

Remoción de la cuchilla de corte

- Alinee el orificio del buje del eje con la ranura de la varilla de cierre e inserte la varilla de cierre en el orificio del buje (Fig. 7).
- Sostenga la varilla de cierre en su lugar junto al brazo de la unidad (Fig. 13).
- Mientras sostiene la varilla de cierre, afloje la tuerca de la cuchilla girándola en sentido horario con una llave de casquillo o de boca cerrada de 5/8 de pulgada (Fig. 13).
- Saque la tuerca, el retén de la cuchilla y la cuchilla. Guarde la tuerca y la cuchilla juntas en un lugar seguro para su uso futuro. Guarde fuera del alcance de los niños.



Fig. 13



ADVERTENCIA : No afile la cuchilla de corte. Afilar la cuchilla puede causar que la punta se desprenda durante el uso. Esto puede causar graves lesiones personales. Cambie la cuchilla.

Instalación del accesorio de corte

- Alinee el orificio del buje del eje con la ranura de la varilla de cierre e inserte la varilla de cierre en el orificio del buje del eje (Fig. 7). Coloque el retén de la cuchilla en el eje de salida con la superficie plana contra el buje del eje de salida según se ilustra en la Fig. 14. Enrosque el accesorio de corte en sentido antihorario en el eje de salida. Ajuste bien.

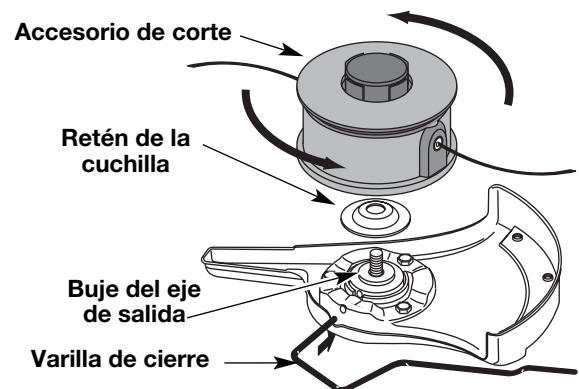


Fig. 14

NOTA: El retén de la cuchilla debe estar instalado en el eje de salida en la posición ilustrada para que el accesorio de corte funcione en forma correcta.

- Saque la varilla de cierre.
- Instale el protector accesorio de corte. Lea *Remoción e instalación del protector accesorio de corte*.

INSTRUCCIONES DE ARRANQUE Y APAGADO



ADVERTENCIA: Use esta unidad sólo en un área exterior bien ventilada. Los gases de escape de monóxido de carbono pueden ser letales en un área cerrada.



ADVERTENCIA: Evite los arranques accidentales. Colóquese en posición de inicio cuando tire de la cuerda de arranque (Fig. 8). El operador y la unidad deben estar en una posición estable al arrancar la unidad para evitar graves lesiones personales.

INSTRUCCIONES DE ARRANQUE

1. Mezcle la gasolina con el aceite. Llene el tanque de combustible con la mezcla de combustible/aceite. *Vea las Instrucciones para Mezclar el Aceite y el Combustible.*
2. Verifique que el Control de Parada de Encendido y Apagado está en la posición de ENCENDIDO (I) (Fig. 15).
3. Oprima y suelte completamente la pera del cebador 10 veces en forma lenta. En la pera del cebador y en las tuberías de combustible deberá verse alguna cantidad de combustible (Figura 7). Si no puede ver combustible en la pera, oprímala y suéltela todas las veces que sea necesario hasta que pueda ver combustible en su interior.
4. Coloque la palanca azul del obturador en la **Posición 1** (Figura 7).
5. Con la unidad en el suelo, ponga un pie en el escalón de metal para mantener la unidad en su lugar (Fig. 17). Oprima la traba del regulador mientras aprieta el control del regulador. Hale el cordón de arranque hasta 5 veces.
6. Coloque la palanca azul del obturador en la **Posición 2** (Figura 7).
7. Mientras sigue apretando la traba del regulador y el control del regulador, hale con energía el cordón de arranque hasta que el motor arranque.
8. Siga apretando la traba del regulador y el control del regulador durante 15 a 30 segundos para calentar el motor.
9. Suelte el control del regulador y la traba del regulador, y deje el motor funcionar en vacío.
10. Coloque la palanca azul del obturador en la **Posición 3** (Figura 7). La unidad está lista para ser utilizada.

Si... el motor no arranca, regrese al **paso 2**.

Si... el motor no arranca después de varios intentos, coloque la palanca azul del obturador en la **Posición 3** y oprima la palanca azul del obturador. Tire de la cuerda de arranque enérgicamente de 3 a 8 veces. El motor deberá arrancar. Si no es así, repita.

SI ESTÁ CALIENTE... Si el motor está ya caliente, asegúrese de que el Control de Parada On/Off esté en la posición ON y arranque la unidad con la palanca azul del obturador en la **Posición 2**. Después de que la unidad arranque, mueva la palanca azul del obturador a la Posición 3

INSTRUCCIONES DE APAGADO

1. Saque la mano del control del regulador. Deje enfriar el motor en mínima.
2. Coloque el control de encendido y apagado en posición de **APAGADO (O)** (Fig. 6).

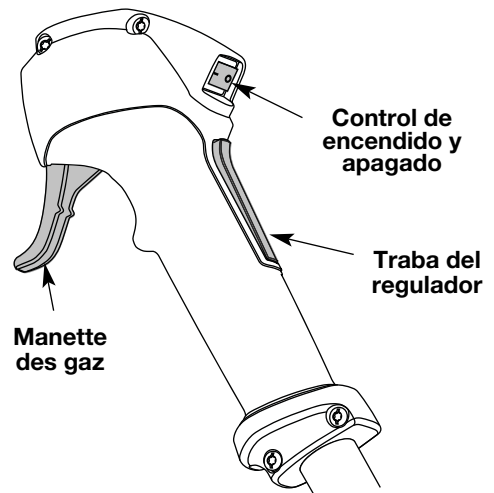


Fig. 15

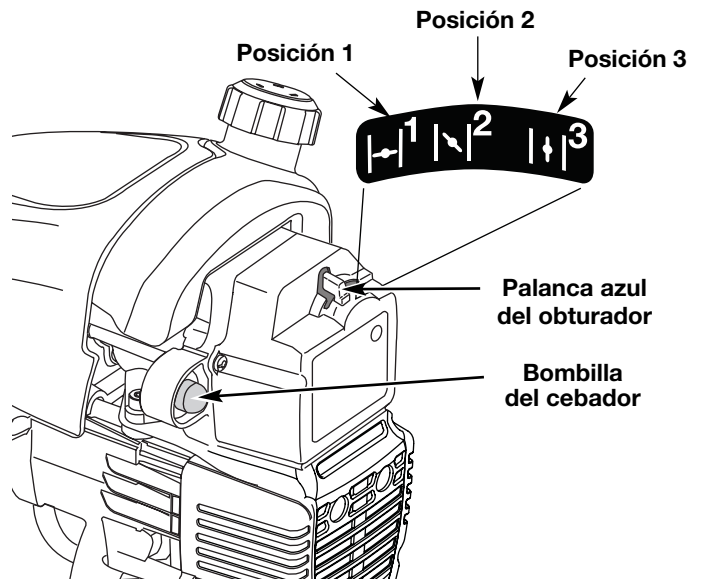


Fig. 16

Posición de Arranque

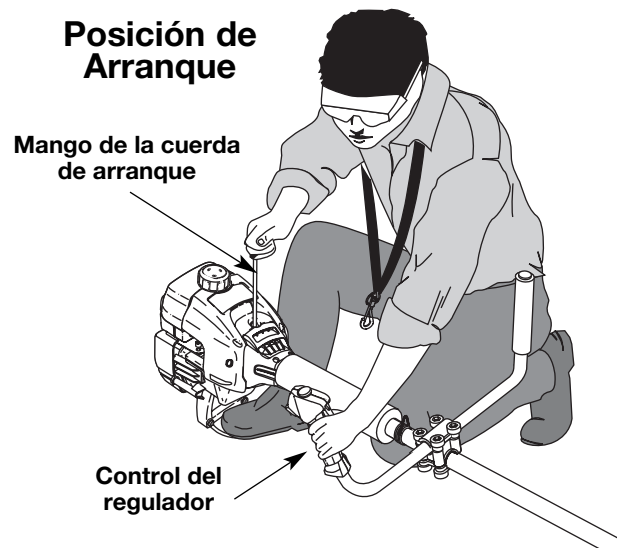


Fig. 17

INSTRUCCIONES DE OPERACIÓN

COMO SOSTENER EL RECORTADOR



ADVERTENCIA: Use siempre protección para sus ojos, audición, pies y cuerpo para reducir el riesgo de una lesión al operar esta unidad.

Antes de operar esta unidad, párese en posición de operación (Fig. 18). Verifique lo siguiente:

- El operador tiene protección ocular y ropa adecuada.
- El brazo derecho está recto, y la mano está sosteniendo el mango del eje.
- El brazo izquierdo está levemente doblado, y la mano está sosteniendo la manija.
- La unidad está debajo del nivel de la cintura.
- El accesorio de corte está paralelo al suelo y hace fácil contacto con la vegetación que va a ser cortada sin que el operador tenga que inclinarse.



Fig. 18

Una vez que usted esté en la posición de funcionamiento, enganche la correa para el hombro a la unidad.

AJUSTE DE LA LONGITUD DE LA LINEA DE CORTE

El accesorio de corte Bump Head™ le permite soltar línea de corte sin apagar el motor. Para soltar más línea, golpee suavemente el accesorio de corte contra el suelo (Fig. 19) mientras opera el recortador a alta velocidad.

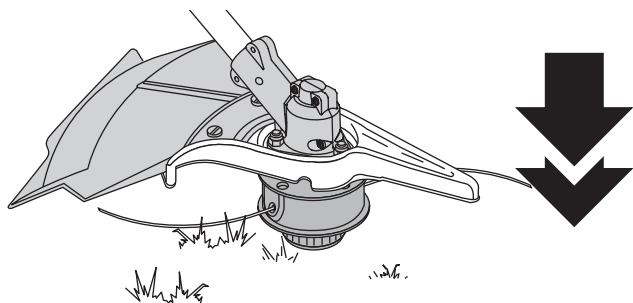


Fig. 19

NOTA: Mantenga siempre la línea de corte completamente extendida. Es más difícil soltar línea al acortarse la línea de corte.

Cada vez que se golpea la cabeza, se suelta alrededor de 25,4 mm (1 pulgada) de línea de corte. La cuchilla en la protección del accesorio de corte detendrá la línea en la longitud correcta si se suelta demasiada línea.

Para obtener mejores resultados, golpee la Bump Head™ sobre terreno limpio o tierra dura. Si intenta soltar la línea sobre el césped alto, el motor podrá ahogarse. Mantenga siempre la línea de corte completamente extendida. Es más difícil soltar línea al acortarse la línea de corte.

NOTA: No apoye la Bump Head™ sobre el suelo mientras la unidad esté en funcionamiento.

La línea puede cortarse por:

- Enredarse con un objeto extraño
- Fatiga normal de la línea
- Intentar cortar hierbas gruesas y leñosas
- Forzar la línea en objetos como paredes o postes de cercos



PRECAUCIÓN: No saque ni altere el ensamble de la cuchilla limitadora de línea. La longitud excesiva de la línea causará el recalentamiento del motor. Esto puede causar graves lesiones personales o daño a la unidad.

CONSEJOS PARA OBTENER MEJORES RESULTADOS AL RECORTAR

- Para mejores resultados que recortan, operar la unidad en válvula de admisión repleta.
- El ángulo correcto para ubicar el accesorio de corte es paralelo al suelo.
- No fuerce el accesorio de corte. Permita que la punta de la línea realice el corte (en especial a lo largo de paredes). Si corta con más de la punta reducirá la eficacia del corte y puede sobrecargar el motor.
- Corte césped de más de 200 mm (8 pulgadas) trabajando de arriba hacia abajo en pequeños incrementos para evitar el desgaste prematuro de la línea y el arrastre del motor.
- Corte de derecha a izquierda siempre que sea posible. Cortar hacia la izquierda mejora la eficiencia de la unidad. Corte de izquierda aderecha para YM26BC. Los recortes salen arrojados en sentido contrario al operador.
- Mueva lentamente el recortador dentro y fuera del área de corte a la altura deseada. Realice movimientos ya sea de adelante hacia atrás y viceversa, o de lado a lado. El corte en longitudes más cortas produce mejores resultados.
- Recorte únicamente cuando el pasto y las hierbas estén secas.
- La vida de su línea de corte depende de:
 - Seguir todas las técnicas de corte indicadas anteriormente
 - El tipo de vegetación que corte
 - El lugar donde se corta

Por ejemplo, la línea se desgastará más rápido cuando corte contra un muro que cuando corte alrededor de un árbol.

RECORTE DECORATIVO

El recorte decorativo se realiza eliminando toda la vegetación de alrededor de los árboles, postes, cercos, etc.

Gire toda la unidad a modo de que el accesorio de corte se ubique a un ángulo de 30° con el suelo (Fig 20).

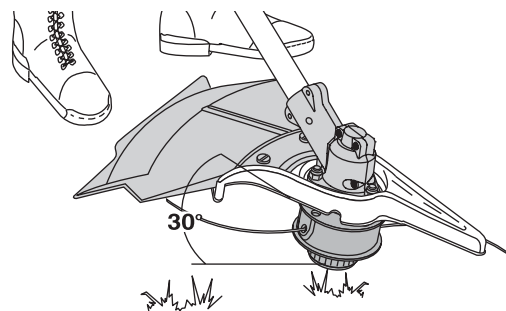


Fig. 20

USO DE LA CUCHILLA DE CORTE



ADVERTENCIA: Use siempre protección para sus ojos, audición, pies y cuerpo para reducir el riesgo de una lesión al operar esta unidad.



ADVERTENCIA: No use la cuchilla de corte para recortar bordes ni como un recortador de bordes, puede causarle graves lesiones personales a usted o a los demás

Antes de operar la unidad con la cuchilla de corte, párese en posición de corte (Fig. 21). Lea *Cómo sostener el Recortador*.

INSTRUCCIONES DE OPERACIÓN

Consejos para el uso de la cuchilla de corte

Para establecer un procedimiento rítmico de corte:

- Fije los pies con firmeza, cómodamente aparte.
- Lleve el motor a plena regulación antes de penetrar el material a cortar. La cuchilla tiene su máxima capacidad de corte a plena regulación y también es menos probable que se adhiera, se trabe o cause el impulso de la cuchilla, lo



Fig. 21

antes de quitarse el arnés.

- Mueva la unidad en la dirección opuesta a en que gira la cuchilla, con lo cual logrará una mejor acción de corte.
- Avance al área siguiente a cortar después de la maniobra de retorno, y vuelva a fijar los pies.
- La cuchilla de corte está diseñada con un segundo borde de corte, el cual puede ser utilizado retirando la cuchilla, dándola vuelta y volviendo a instalarla.



ADVERTENCIA : No afile la cuchilla de corte. Si afila la cuchilla, la punta puede desprenderse durante su uso. Esto puede causar graves lesiones personales a usted mismo o a los demás. Cambie la cuchilla.

Para reducir la posibilidad de que se enrede material en la cuchilla, siga estos pasos:

- Corte a plena regulación.
- Mueva la unidad de su izquierda a derecha hacia el material que va a cortar (Fig. 22).
- En el movimiento de retorno, evite tocar el material que acaba de cortar.



ADVERTENCIA : No limpie el material con el motor en marcha ni con la cuchilla girando. Para evitar graves lesiones personales, apague el motor. Espere que la cuchilla se detenga antes de sacar el material envuelto alrededor del eje de la cuchilla.



Fig. 22



ADVERTENCIA: Cuando la cuchilla giratoria hace contacto con un objeto que no corta de inmediato, puede ocurrir el impulso de la cuchilla. El impulso de la cuchilla puede ser lo suficientemente violento como para hacer que la unidad y/o el operador sean impulsados en cualquier dirección, y posiblemente perder el control de la unidad. El impulso de la cuchilla puede ocurrir si la cuchilla se tropieza, se traba o se atora. Es más posible que esto ocurra en áreas donde es difícil ver el material que está cortando.

cual puede causar graves lesiones personales al operador o a otros.

- Corte girando la parte superior de su cuerpo de izquierda a derecha.
- Suelte siempre el gatillo del regulador y espere que el motor



ADVERTENCIA : La cuchilla continúa girando luego de apagar el motor. La cuchilla en deslizamiento puede causar graves cortes si lo toca en forma accidental.

vuelva a marcha lenta cuando no esté cortando.

- Cuando termine la labor, desabroche siempre la unidad

INSTRUCCIONES DE MANTENIMIENTO Y REPARACIÓN

PROGRAMA DE MANTENIMIENTO

Estos procedimientos requeridos para el mantenimiento deben ser realizados con la frecuencia indicada en la tabla. Deben ser incluidos como parte de toda puesta a punto de cada temporada.

NOTA: Algunos procedimientos de mantenimiento pueden requerir el uso de herramientas o habilidades especiales. Si no está seguro acerca de estos procedimientos, lleve su unidad a un establecimiento de reparación, persona o distribuidor de servicio autorizado que arregle motores para uso fuera de la carretera.

NOTA: El mantenimiento, la sustitución o arreglo de dispositivos para el control de emisiones y sistemas pueden ser hechos por cualquier establecimiento de reparación, persona o proveedor de servicio autorizado que arregle motores para uso fuera de la carretera.



ADVERTENCIA : Para evitar lesiones personales graves, nunca realice mantenimiento ni reparaciones con la unidad funcionando. Realice siempre el mantenimiento y las reparaciones con la unidad fría. Desconecte el cable de la bujía de encendido para cerciorarse de que la unidad no arrancará.

FRECUENCIA	MANTENIMIENTO REQUERIDO	CONSULTE
Antes de arrancar el motor	Llene el tanque de combustible con la mezcla correcta de aceite y combustible	Página E4
Cada 10 horass	Limpie y vuelva a aceitar el filtro de aire	Página E11
Cada 25 horass	Examine el parachispas y límpielo Inspeccione la condición y la separación de la bujía de encendido	Página E12 Página E13
Cada 50 horas	Inspeccione si la lumbrera de escape y la rejilla del parachispas están tupidas u obstruidas para garantizar los niveles máximos de rendimiento	Página E12

INSTRUCCIONES DE MANTENIMIENTO Y REPARACIÓN

INSTALACION DE LA LINEA

Esta sección cubre la instalación de la línea SplitLine™ y de la línea individual regular.

Use siempre la línea de repuestos de 2,41 mm (0,095 pulg-- YM26BC) o 2,03 mm (0,80-- YM26C0) del fabricante del equipo original. Una línea que no sea la indicada puede causar que el motor se recaliente o falle.

Existen dos métodos para cambiar la línea de corte.

- Bobine el carrete interior con línea nueva.
- Instale un carrete interior prebobinado



ADVERTENCIA : No use nunca línea reforzada con metal, alambre, cadena ni sogas, etc. Estos elementos pueden desprenderse y convertirse en un proyectil peligroso.

Bobinado del carrete interior existente

1. Sostenga la bobina exterior con una mano y desenrosque el botón de tope en sentido antihorario (Fig. 23). Inspeccione el perno de adentro del botón de tope para verificar que se mueva con libertad. Cambie el botón de tope si está dañado.

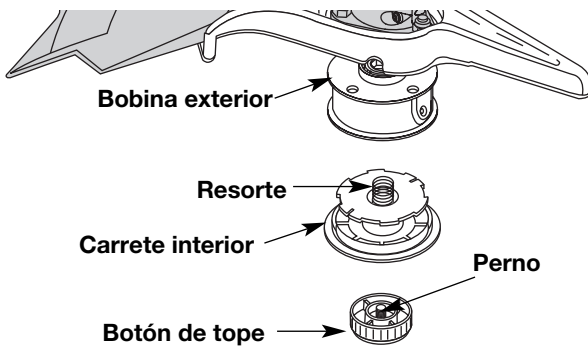


Fig. 23

2. Saque el carrete interior de la bobina exterior (Fig. 23).
3. Saque el resorte del carrete interior (Fig. 23).
4. Use un paño limpio para limpiar el carrete interior, el resorte, el eje y la bobina exterior (Fig. 24).
5. Verifique el desgaste de los dientes de posición del carrete interior y bobina exterior (Fig. 25). Si es necesario, saque la rebaba o cambie el carrete y la bobina.

NOTA: La línea SplitLine™ sólo puede usarse con el carrete interior con los orificios ranurados. La línea individual puede usarse en cualquier tipo de carrete interior. Use la

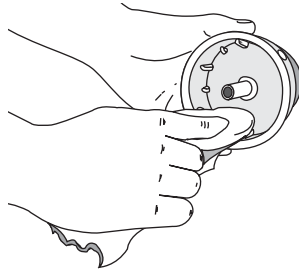


Fig. 24

Indexing Teeth

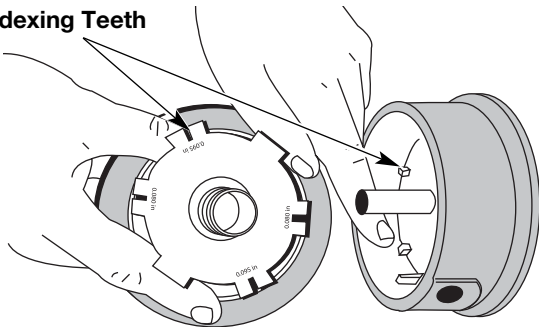
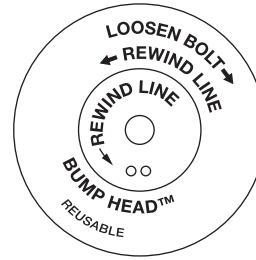


Fig. 25

For Use with Single Line ONLY



For Use with SplitLine™ or Single Line

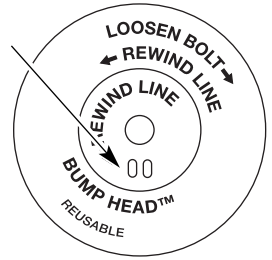


Fig. 26

Figura 26 para identificar el carrete interior que usted tiene.

NOTA: Use siempre la longitud correcta de línea cuando instale la línea de corte en la unidad. La línea puede no soltarse en forma adecuada si es demasiado larga.

Instalación de la línea individual

Lea la instalación de la línea SplitLine™ en el paso 8

6. Tome aproximadamente 5 m (16 pies) de nueva línea de corte, enlácela en dos longitudes iguales. Inserte cada extremo de la línea a través de uno de los dos orificios del carrete interior (Fig. 27). Pase la línea a través del carrete interior de modo que el lazo sea lo más pequeño posible.

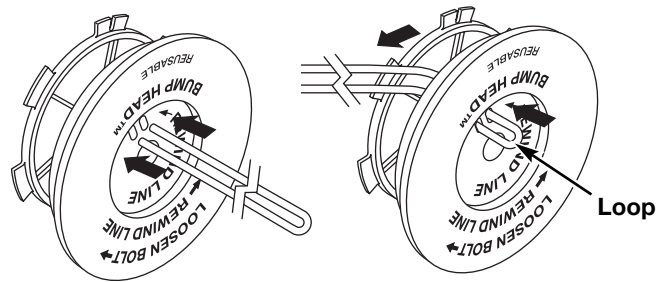


Fig. 27

7. Bobine las líneas en capas parejas y ajustadas sobre el carrete (Fig. 28). Bobine la línea en la dirección indicada en el carrete interior. Coloque su dedo índice entre las dos líneas para evitar que se superpongan. No superponga los extremos de la línea. Proceda al paso 11.

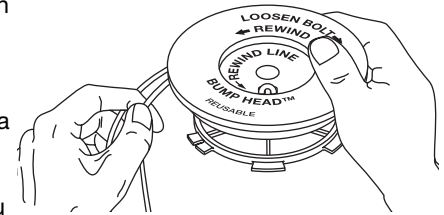


Fig. 28

Instalación de la línea SplitLine™

8. Tome aproximadamente 2,5 m (8 pies) de nueva línea de corte. Inserte un extremo de la línea a través de uno de los orificios del carrete interior (Fig. 29). Pase la línea a través del carrete interior hasta que queden sólo 4 pulgadas fuera.

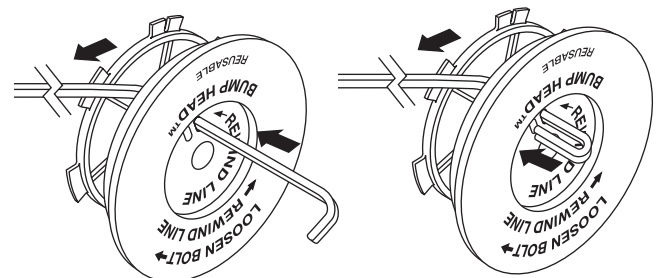


Fig. 29

INSTRUCCIONES DE MANTENIMIENTO Y REPARACIÓN

9. Inserte el extremo de la línea en el orificio abierto del carrete interior y tire de la línea en forma ajustada a fin de que el lazo sea lo más pequeño posible (Fig. 29).
 10. Antes de bobinar, separe la línea alrededor de 6 pulgadas.
 11. Bobine la línea en capas parejas y ajustadas en la dirección indicada en el carrete interior.
- NOTA:** Si no bobina la línea en la dirección indicada, el accesorio de corte no funcionará en forma correcta.
12. Inserte los extremos de la línea en las dos ranuras de fijación (Fig. 30).

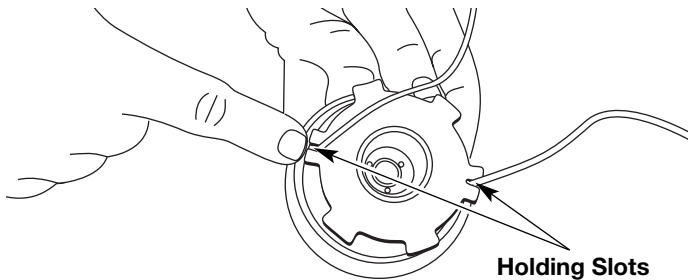


Fig. 30

13. Inserte los extremos de la línea a través de los ojalillos de la bobina exterior y coloque el carrete interior con el resorte dentro de la bobina exterior (Fig. 31). Empuje el carrete interior y la bobina exterior entre sí. Mientras sostiene el carrete interior y la bobina exterior, tome los extremos y tire con firmeza para soltar la línea de las ranuras de fijación de la bobina.

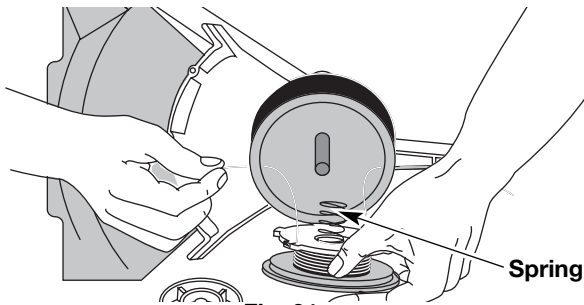


Fig. 31

NOTA: El resorte debe estar ensamblado en el carrete interior antes de volver a ensamblar el accesorio de corte.

14. Sostenga el carrete interior en su lugar e instale el botón de tope girándolo en sentido horario. Ajuste bien.

INSTALACIÓN DE UN CARRETE PREBOBINADO

1. Sostenga la bobina exterior con una mano y desenrosque el botón de tope en sentido antihorario. Inspeccione el perno dentro del botón de tope para verificar que se mueva con libertad. Cambie el botón de tope si está dañado (Fig. 23).
2. Saque el carrete interior viejo de la bobina exterior (Fig. 23).
3. Saque el resorte del carrete interior viejo (Fig. 23).
4. Coloque el resorte en el carrete interior nuevo.

NOTA: El resorte debe estar ensamblado en el carrete interior antes de volver a instalar el accesorio de corte.

5. Inserte los extremos de la línea en los ojalillos de la bobina exterior (Fig. 31).
6. Coloque el nuevo carrete interior dentro de la bobina exterior. Empuje el carrete interior y la bobina exterior entre sí. Mientras sostiene el carrete interior y la bobina exterior, tome los extremos y tire con firmeza para soltar la línea de las ranuras de retención de la bobina.
7. Sostenga el carrete interior en su lugar e instale el botón de tope girándolo en sentido horario. Ajuste bien.

MANTENIMIENTO DEL FILTRO DE AIRE

Remoción de la cubierta del silenciador/filtro de aire



ADVERTENCIA: Para evitar graves lesiones personales, apague siempre su recortador y espere que se enfríe antes de limpiarlo o realizar todo tipo de mantenimiento.

1. Coloque la palanca azul en Posición 2.

NOTA: La palanca azul debe estar en Posición 2 (Fig. 32) para sacar la cubierta del silenciador / filtro de aire.

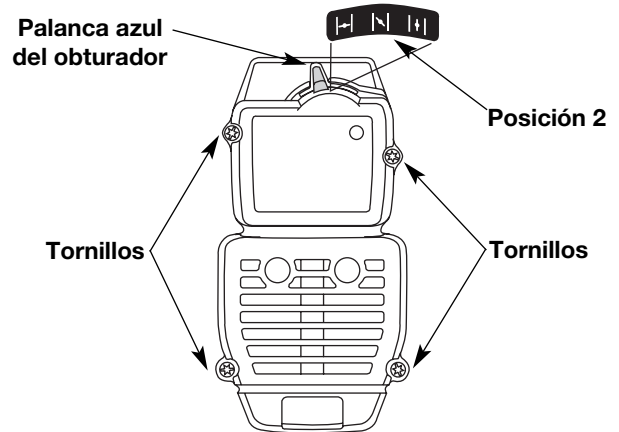


Fig. 32

2. Saque los cuatro (4) tornillos que sostienen la cubierta del silenciador / filtro de aire (Fig. 32). Use un destornillador de broca Torx N° T20.
3. Saque la cubierta del motor. No la fuerce.

Limpieza del Filtro de Aire

Limpie y vuelva a aceitar el filtro de aire cada 10 horas de operación. Es una de las partes cuyo mantenimiento es importante. No mantener debidamente su filtro de aire puede resultar en funcionamiento inadecuado o puede causar daño permanente a su motor.

1. Saque la cubierta del silenciador / filtro de aire. Lea la sección de *Remoción e Instalación de la cubierta del silenciador / filtro de aire*.
2. Gire la tapa y ubique el filtro de aire adentro. Saque el filtro de aire de adentro de la tapa del filtro de aire / silenciador (Fig. 33).
3. Lave el filtro con agua y detergente (Fig. 34). Enjuague bien el filtro. Escorra el exceso de agua. Déjelo secar por completo.
4. Aplique suficiente aceite limpio SAE 30 para recubrir ligeramente el filtro (Fig. 35).
5. Apriete el filtro para esparcir y retirar el exceso de aceite (Fig. 36).

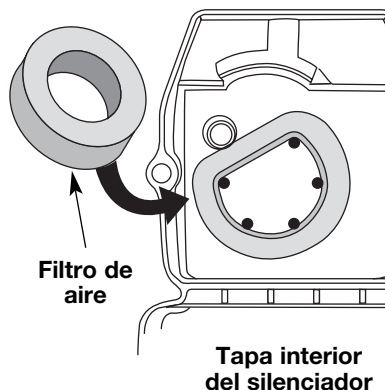


Fig. 33

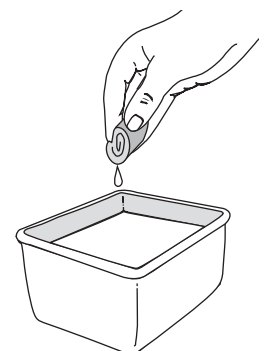


Fig. 34

INSTRUCCIONES DE MANTENIMIENTO Y REPARACIÓN

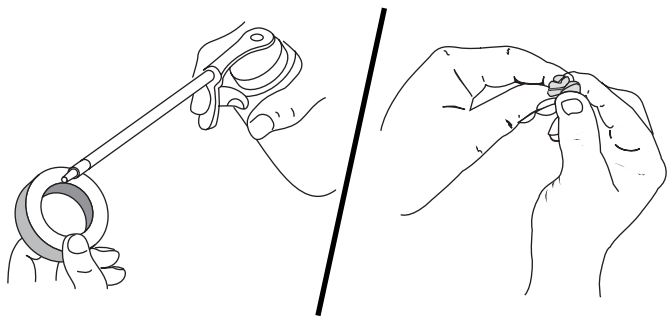


Fig. 35

Fig. 36

6. Cambie el filtro de aire dentro de la tapa del filtro de aire / silenciador (Fig. 33).

NOTA: Si opera la unidad sin el filtro de aire y el ensamble de la cubierta del silenciador / filtro de aire, su garantía quedará ANULADA.

Reinstalación de la cubierta del silenciador/ filtro de aire

1. Coloque la cubierta del silenciador / filtro de aire sobre la parte posterior del carburador y del silenciador. Alinee los orificios de los tornillos.
2. Inserte los cuatro (4) tornillos en los orificios de la cubierta del silenciador / filtro de aire (Fig. 32) y ajústelos. No los ajuste demasiado.

MANTENIMIENTO DEL PARACHISPAS

1. Quite el filtro de aire / tapa del silenciador. Ver *Remoción de la Tapa del Filtro / Silenciador*.
2. Localice el silenciador, pero no lo quite. Busque el tornillo en la parte inferior del silenciador (Fig. 37). Quite el tornillo usando una llave torx No. 20 o un destornillador plano.

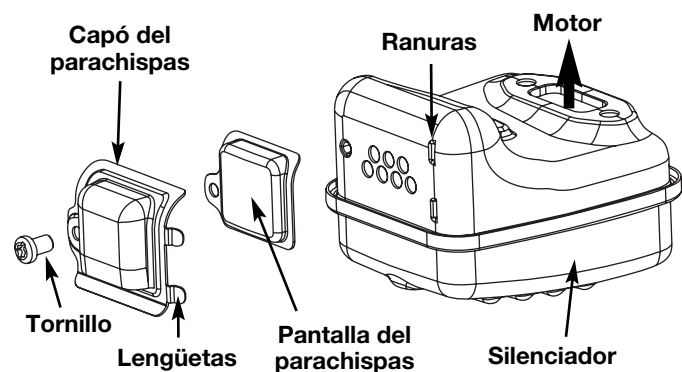


Fig. 37

3. Levante cuidadosamente haciendo palanca el lado izquierdo de la cubierta del parachispas. Dos lengüetas actúan como bisagras en el lado derecho de la cubierta. Abra con un golpe rápido la cubierta del parachispas, como si fuera una puerta, y después hale las lengüetas para sacarlas de las ranuras del silenciador.
4. Con un destornillador de punta plana, levante cuidadosamente haciendo palanca la rejilla del parachispas, sacándola del interior de la cubierta del parachispas.
5. Limpie la rejilla del parachispas con un cepillo de cerdas metálicas. Cámbiela si está dañada o si no la puede limpiar completamente.
6. Reinstale la rejilla del parachispas, ajustándola en forma ceñida de nuevo en la cubierta del parachispas.
7. Reinstale las dos lengüetas de la cubierta en las dos ranuras y cierre la cubierta del parachispas con un golpe rápido.

8. Vuelva a colocar el tornillo que quitó en el Paso 2 y apriétele firmemente.
9. Reinstale la tapa del filtro de aire / silenciador.



ADVERTENCIA: Si el capó del parachispas y pantalla del parachispas no se aprieta fijamente se puede caer y causarle daño a la unidad y posibles lesiones personales graves.

AJUSTE DEL CARBURADOR

La velocidad lenta del motor puede ser ajustada por la cubierta del silenciador / filtro de aire (Fig. 38).

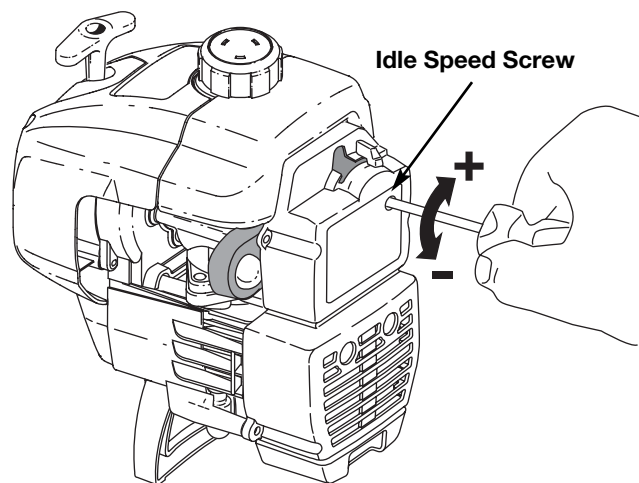


Fig. 38

NOTA: Los ajustes realizados sin cuidado pueden dañar seriamente su unidad. Los ajustes del carburador deben ser realizados por un proveedor de servicio autorizado.

Controle la mezcla del combustible

Una mezcla incorrecta o vieja de combustible es en general el motivo por el cual la unidad no funciona adecuadamente. Drene y vuelva a llenar el tanque con combustible nuevo y bien mezclado antes de hacer ningún ajuste. Consulte la *Información sobre Aceite y Combustible*.

Limpie el filtro de aire

La condición del filtro de aire es importante para la operación de la unidad. Un filtro de aire sucio limitará el flujo de aire y cambiará la mezcla de combustible y aire en el carburador. Esto con frecuencia se confunde con un carburador mal ajustado. Verifique la condición del filtro de aire antes de ajustar el tornillo de marcha lenta. Consulte *Mantenimiento del Filtro de Aire*.

Ajuste del tornillo de marcha lenta

Si luego de verificar la mezcla del combustible y limpiar el filtro de aire el motor aún no funciona en mínima, ajuste el tornillo de velocidad lenta de la siguiente manera.

1. Arranque el motor y déjelo funcionar en marcha lenta durante un minuto para calentarlo. Lea las *Instrucciones de arranque y apagado*.
 2. Suelte el gatillo del regulador y deje que el motor funcione en marcha lenta. Si el motor se para, inserte un pequeño destornillador Phillips o de vástago plano en el orificio de la cubierta del silenciador / filtro de aire (Fig. 42). Gire el tornillo de marcha lenta en sentido horario, de a 1/8 de vuelta por vez (según sea necesario) hasta que el motor funciona en mínima.
- NOTA:** El accesorio de corte no debe girar mientras el motor está en marcha lenta.
3. Si el accesorio de corte gira cuando el motor está en marcha lenta, gire el tornillo de marcha lenta en **sentido antihorario**

INSTRUCCIONES DE MANTENIMIENTO Y REPARACIÓN

1/8 de vuelta por vez (según sea necesario) para reducir la velocidad lenta.

El control de la mezcla de combustible, la limpieza del filtro de aire y el ajuste del tornillo de marcha en vacío deben resolver la mayoría de los problemas del motor.

De no ser así y si:

- El motor no funciona en mínima
- El motor fluctúa o se para al acelerar
- Existe una pérdida de fuerza motriz

Lleve el carburador a un proveedor de servicio autorizado para que lo ajuste.

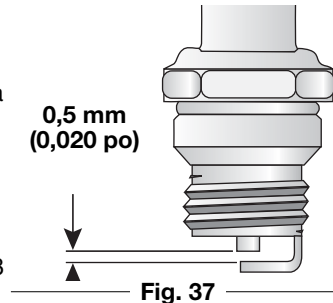


ADVERTENCIA : El accesorio de corte puede estar girando durante los ajustes del carburador. Use ropa que lo proteja y cumpla con todas las instrucciones de seguridad para prevenir graves lesiones personales.

CAMBIO DE LA BUJÍA DE ENCENDIDO

Use una bujía de encendido Champion RDJ7Y (o similar). La separación correcta es de **0,5 mm (0,020 pulgadas)**. Retire la bujía luego de cada 25 horas de operación e inspeccione su estado.

1. Apague el motor y espere que se enfríe. Tome el alambre de la bujía con firmeza y sáquelo de la bujía de encendido.
2. Limpie alrededor de la bujía de encendido. Saque la bujía de encendido de la cabeza del cilindro girando una llave de casquillo de 5/8 de pulgada en sentido antihorario.
3. Cambie las bujías que estén rajadas, sucias o deterioradas. Fije la separación de aire a **0,5 mm (0,020 pulgadas)** utilizando un calibrador (Fig. 37).
4. Instale una bujía de encendido con la separación correcta en la cabeza del cilindro. Ajuste girando la llave de casquillo de 5/8 pulg. en sentido horario hasta que esté ajustada sin huelgo.



Si usa una llave de torsión, ajuste a:

12,3-13,5 N•m (110-120 pulg. •libras)

No ajuste demasiado.



PRECAUCIÓN : No limpie con chorro de arena, ni raspe ni limpie los electrodos. El motor podría dañarse si penetran pequeñas partículas en el cilindro.

LIMPIEZA



ADVERTENCIA : Al apagar la unidad, asegúrese de que el accesorio de corte se haya detenido antes de apoyar la unidad para prevenir graves lesiones personales.

Use un cepillo pequeño para limpiar la parte exterior de la unidad. No use detergentes fuertes. Los limpiadores domésticos que contienen aceites aromáticos como pino y limón, y con solventes como el queroseno pueden dañar el bastidor de plástico y la manija. Seque toda la humedad con un paño suave.

ALMACENAMIENTO

- No guarde nunca la unidad con combustible en el tanque donde los vapores puedan llegar a una llama o chispa.
- Espere que el motor se enfríe antes de guardar la unidad.
- Guarde la unidad bajo llave para prevenir el uso por personas no autorizadas y su daño.
- Guarde la unidad en un área seca y bien ventilada.
- Guarde la unidad fuera del alcance de los niños.

ALMACENAMIENTO PROLONGADO

Si planea guardar la unidad durante un largo período de tiempo, siga el siguiente procedimiento para su almacenamiento.

1. Drene todo el combustible del tanque de combustible en un recipiente que contenga la misma mezcla de combustible de 2 ciclos. No use combustible que haya permanecido guardado durante más de 60 días. Deseche la mezcla vieja de combustible y aceite de acuerdo a las regulaciones federales, estatales y locales.
 2. Arranque el motor y déjelo funcionar hasta que se ahogue. Esto asegura que todo el combustible ha sido drenado del carburador.
 3. Espere que el motor se enfríe. Retire la bujía de encendido y coloque alrededor de 30 ml (1 onza) de cualquier aceite para motor de 2 ciclos de buena calidad dentro del cilindro. Tire de la cuerda de arranque lentamente para esparcir el aceite. Vuelva a instalar la bujía de encendido.
- NOTA:** Saque la bujía de encendido y drene todo el aceite del cilindro antes de intentar arrancar el recortador después de su almacenamiento.
4. Limpie bien la unidad e inspeccione para ver si existen partes flojas o dañadas. Repare o cambie las partes dañadas y ajuste los tornillos, tuercas o pernos que puedan estar flojos. La unidad está ahora lista para ser guardada.

TRANSPORTE

- Espere que el motor se enfríe antes de su transporte.
- Drene el combustible de la unidad.
- Ajuste la tapa del combustible antes del transporte.
- Asegure la unidad durante su transporte.

RESOLUCIÓN DE PROBLEMAS

EL MOTOR NO ARRANCA

CAUSA

La bombilla de cebado no fue oprimida lo suficiente
El motor está inundado
El combustible es viejo o está mal mezclado
La bujía de encendido está arruinada
Parachispas obstruido
La temperatura exterior es por debajo de 4° C (40° F)
La temperatura exterior es de más de 32° C (90° F)

ACCIÓN

Oprima la bombilla de cebado total de 10 veces
Use el procedimiento de arranque
Drene el tanque de gasolina / Agregue mezcla de combustible nueva
Cambie o limpie la bujía de encendido
Limpie o cambie el parachispas
Hale el cordón de arranque hasta un máximo de 10-15 veces
Oprima el control del regulador y hale el cordón de arranque

EL MOTOR NO FUNCIONA EN MINIMA

CAUSA

El filtro de aire está obstruido
El combustible es viejo o está mal mezclado
El carburador no está ajustado en forma correcta

ACCIÓN

Cambie o limpie el filtro de aire
Drene el tanque de gasolina / Agregue mezcla de combustible nueva
Ajuste según las instrucciones

EL MOTOR NO ACELERA

CAUSA

El combustible es viejo o está mal mezclado
El carburador no está ajustado en forma correcta

El accesorio de corte está atascado de hierba
El filtro de aire está sucio
Parachispas obstruido

ACCIÓN

Drene el tanque de gasolina / Agregue mezcla de combustible nueva
Lleve la unidad a un proveedor de servicio autorizado para hacer un ajuste de carburador
Pare el motor y limpie el accesorio de corte
Limpie o cambie el filtro de aire
Limpie o cambie el parachispas

EL MOTOR NO TIENE SUFICIENTE POTENCIA O SE AHOGA AL CORTAR

CAUSA

El combustible es viejo o está mal mezclado
El carburador no está ajustado en forma correcta

La bujía de encendido está arruinada
Parachispas obstruido

ACCIÓN

Drene el tanque de gasolina / Agregue mezcla de combustible nueva
Lleve la unidad a un proveedor de servicio autorizado para hacer un ajuste de carburador
Cambie o limpie la bujía de encendido
Limpie o cambie el parachispas

LA CABEZA DE CORTE NO HACE AVANZAR LINEA

CAUSA

El accesorio de corte está atascado de hierba
El accesorio de corte no tiene línea
El carrete interior está trabado
La cabeza de corte está sucia
La línea se ha soldado
La línea se retorció al reponerla
No hay suficiente línea expuesta

ACCIÓN

Pare el motor y limpie el accesorio de corte
Coloque una línea nueva
Cambie el carrete interior
Limpie el carrete interior y la bobina exterior
Desarme, saque la sección soldada y rebobine la línea
Desarme y rebobine la línea
Oprima el botón de tope y tire de la línea hasta sacar 102 mm (4 pulgadas) de línea fuera del accesorio de corte.

LA LÍNEA DE CORTE AVANZA SIN CONTROL

CAUSA

El cabezal de corte tiene aceite

ACCIÓN

Limpie el aditamento de corte

Si necesita asistencia adicional, comuníquese con su proveedor de servicio autorizado.

ESPECIFICACIONES

MOTOR*

Tipo de motor.....	Enfriado por aire, de 2 ciclos
Carrera	31,75 mm (1,25 pulg.)
Desplazamiento	31 cm ³ (1,9 pulg ³)
Tipo de embrague	Centrífugo
R.P.M. de velocidad mínima	2.800 - 3.600 r.p.m.
R.P.M. de operación (Recortador).....	6,100+ r.p.m.
Tipo de encendido	Electrónico
Interruptor de encendido	Interruptor oscilante
Separación de la bujía de encendido	0,5 mm (0,020 pulg.)
Lubricación.....	Mezcla de combustible y aceite
Proporción de combustible - aceite	40:1
Carburador	Diafragma, multiposicional
Arranque.....	Rebobinado automático
Silenciador	Desviado con protección
Regulador	Retroceso manual a resorte
Capacidad del tanque de combustible.....	355 ml (12 onzas)

EJE IMPLUSOR Y ACCESORIO DE CORTE*

Bastidor del eje impulsor	Tubo de acero (EZ-Link™)
Control del regulador	Gatillo para el dedo con traba
Peso de la unidad (sin combustible, con la manija, protector y accesorio de corte).....	7 kg (15 libras)
Mecanismo de corte	Cuchilla de corte de 4 dientes, cabeza de corte de cuerda doble
Bobina de la línea	Desprendedor percusivo de línea
Diámetro de la bobina de la línea.....	101,6 mm (4 pulgadas)
Diámetro de la línea de corte	2,41 mm (0,095 pulgadas)
Diámetro de la trayectoria de corte, accesorio de corte	45,7 cm (18 pulgadas)
Diámetro de la trayectoria de corte, cuchilla de corte	204 mm (8 pulgadas)
Arnés para el hombro	Broche individual a presión

***Toda las especificaciones contenidas en este manual se basan en la información más reciente disponible en el momento de impresión del manual. Nos reservamos el derecho de hacer cambios en cualquier momento sin aviso previo.**

Declaración de Garantía de Control de Emisiones de la EPA / California

Sus Derechos y Obligaciones de la Garantía

La Junta de Recursos del Aire de California, la Agencia de Protección Ambiental y MTD LLC (MTD) se complacen en explicar la garantía del sistema de control de emisiones para su pequeño motor para uso fuera de la carretera del 2005 y posterior. Los nuevos motores pequeños para uso fuera de la carretera tienen que diseñarse, construirse y equiparse para cumplir las normas contra smog más estrictas. MTD tiene que garantizar el sistema de control de emisiones de su pequeño motor para uso fuera de la carretera durante los períodos de tiempo que aparecen a continuación siempre que no haya habido abuso, negligencia o mantenimiento indebido de su motor para uso fuera de la carretera.

Su sistema de control de emisiones puede incluir piezas como el carburador y el sistema de inyección de combustible, el sistema de encendido y el convertidor del catalizador. También se pueden incluir mangueras, correas, conectores y otros conjuntos relacionados con la emisión.

Donde existan las condiciones de garantía, MTD reparará su pequeño motor para uso fuera de la carretera sin costo alguno para usted incluyendo el diagnóstico, las piezas y la mano de obra.

Los pequeños motores para uso fuera de la carretera del 2005 y posteriores, se garantizan por dos años. Si alguna pieza de su motor relacionada con la emisión está defectuosa, la pieza será reparada o reemplazada por MTD.

Responsabilidades de Garantía de los Propietarios

Como propietario del pequeño motor para uso fuera de la carretera, usted es responsable de realizar el mantenimiento requerido que aparece en el manual del operador. MTD recomienda que conserve todos los comprobantes que cubren el mantenimiento de su pequeño motor para uso fuera de la carretera, pero MTD no puede negar garantía exclusivamente por la falta de comprobantes o por que usted no haya realizado todos los mantenimientos programados.

Como propietario del pequeño motor para uso fuera de la carretera, usted debe conocer que MTD puede negarle cobertura de garantía si su pequeño motor para uso fuera de la carretera o una pieza ha fallado debido a abuso, negligencia, mantenimiento inadecuado o modificaciones no aprobadas.

Usted es responsable de presentar su pequeño motor para uso fuera de la carretera a un Centro de Servicio Autorizado MTD tan pronto como exista un problema. Las reparaciones de garantía deben completarse en un período de tiempo razonable, el cual no deberá ser mayor de 30 días.

Si tiene alguna pregunta relacionada con los derechos y responsabilidades de la garantía, debe llamar al **1-800-345-8746**.

Cobertura de Garantía del Fabricante

El período de garantía comienza en la fecha en que el motor o equipo se entrega al comprador minorista.

El fabricante garantiza al propietario original y a cada comprador subsiguiente, que el motor está libre de defectos en cuanto a material y mano de obra que ocasionen la falla de una pieza bajo garantía durante un período de dos años.

La reparación o reemplazo de una pieza bajo garantía se llevará a cabo sin cargo alguno para el propietario en un Centro de Servicio MTD Autorizado. Para conocer el establecimiento más cercano, comuníquese con MTD llamando al: **1-800-345-8746**.

Cualquier pieza bajo garantía que no esté programada para ser reemplazada, según indica el mantenimiento requerido o que esté programada solamente para inspección regular a los efectos de "Repare o Reemplace según sea Necesario" está garantizada durante el período de garantía. Cualquier pieza bajo garantía que esté programada para ser reemplazada según indica el mantenimiento requerido tendrá garantía durante el período de tiempo hasta el primer punto de reemplazo programado para dicha pieza.

No se le cobrará al propietario la mano de obra de diagnóstico que conlleve a la determinación de que una pieza bajo garantía está defectuosa, si dicho trabajo de diagnóstico se lleva a cabo en un Centro de Servicio MTD Autorizado.

El fabricante es responsable de los daños ocasionados a otros componentes del motor producidos por la falla de una pieza bajo garantía que todavía esté bajo garantía.

Las fallas ocasionadas por abuso, negligencia o mantenimiento inadecuado no están cubiertas por la garantía.

El uso de accesorios optativos o piezas modificadas puede ser motivo justificado para no aceptar una reclamación de garantía. El fabricante no es responsable de cubrir fallas de piezas bajo garantía ocasionadas por el uso de accesorios optativos o piezas modificadas.

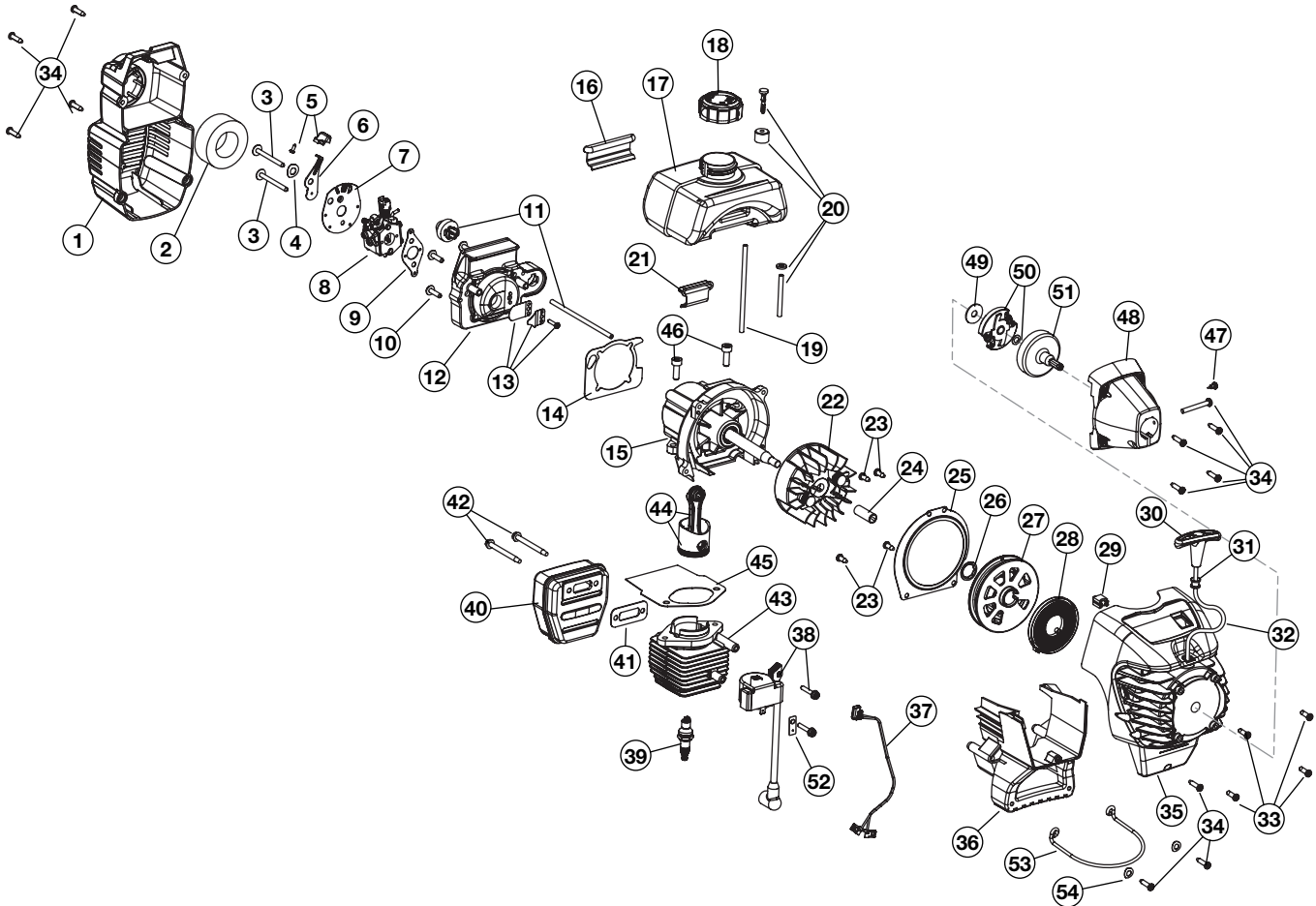
Para presentar una reclamación, vaya a su Centro de Servicio MTD Autorizado más cercano. Los servicios o reparación por motivo de garantía se realizarán en todos los Centros de Servicio MTD Autorizados.

Cualquier pieza de reemplazo aprobada por el fabricante puede ser utilizada para llevar a cabo el mantenimiento o la reparación de garantía de piezas relacionadas con la emisión y se realizará sin cargo alguno para el propietario. Cualquier pieza de reemplazo que sea equivalente en rendimiento o durabilidad puede ser utilizada en el mantenimiento o reparación sin garantía y no reducirá las obligaciones de garantía del fabricante.

Los componentes siguientes se incluyen en la garantía relacionada con emisiones del motor, filtro de aire, carburador, cebador, líneas de combustible, toma de combustible, filtro de combustible, módulo de encendido, bujía de encendido y silenciador.

PARTS LIST

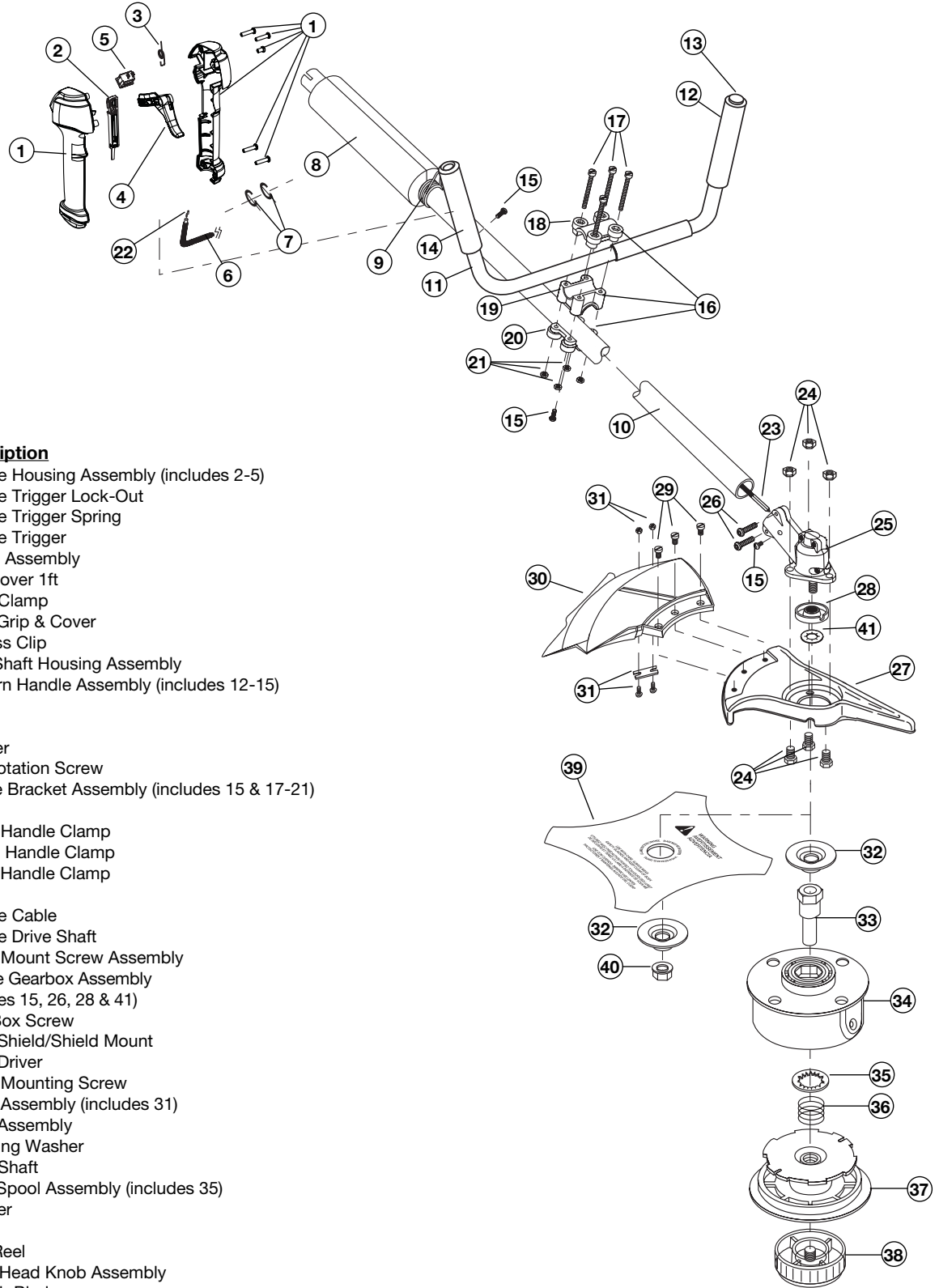
**ENGINE PARTS - Y780
2-CYCLE GAS TRIMMER/BUSHCUTTER**



Item	Part No.	Description	Item	Part No.	Description
1	753-04511	Air Cleaner Cover Assembly (includes 2 & 34)	29	753-04824	Eyelet Retainer
2	791-180350B	Air Cleaner Filter	30	791-181079	Pull Handle
3	791-180351	Carburetor Mounting Screws	31	791-611061	Rope Guide
4	791-180226	Wavey Washer	32	791-613103	Rope
5	791-182202	Choke Knob & Screw	33	791-181862	Housing Screw
6	753-04418	Choke Lever Assembly (includes 5)	34	791-181345	Cover Screw
7	753-04419	Choke Lever & Plate (includes 6)	35	753-04890	Starter Housing Assembly (includes 23, 25-34)
8	753-05133	Carburetor Assembly (includes 9 & 20)	36	753-05091	Shroud Extension and Stand
9	791-610675	Carburetor Gasket	37	791-182815	Wire Lead
10	791-181860	Carb Mount Screw	38	753-04336	Module Assembly
11	791-683974B	Primer and Hose Assembly	39	791-610311B	Spark Plug
12	753-1196	Carburetor Mount Assembly (includes 10, 13 & 14)	40	753-05169	Muffler Assembly (includes 41, 42, and spark arrestor)
13	791-684451	Reed Assembly	41	753-04619	Exhaust Gasket
14	753-1208	Carburetor Mount Gasket	42	769-04620	Muffler Mounting Bolt Assembly
15	753-04401	Crankcase Service Assembly (includes 10)	43	753-04814	Cylinder Assembly (includes 45 & 46)
16	791-612134	Rear Mounting Pad	44	753-04367	Piston & Rod Assembly
17	791-181152	Fuel Tank Assembly (includes 18 & 20)	45	753-04182	Cylinder Gasket
18	791-182529	Fuel Cap Assembly	46	791-182723	Cylinder Bolt
19	791-181086	Fuel Return Line	47	791-182519	Anti-Rotation Screw
20	791-682039	Fuel Line Assembly	48	753-04889	Clutch Cover Assembly (includes 34 & 47)
21	791-145308	Front Mounting Pad	49	791-182396	Washer
22	791-182736	Flywheel Assembly	50	791-182369	Clutch Assembly
23	753-1202	Plate Screw	51	791-153592	Clutch Drum
24	791-181525	Spacer	52	791-611063	Tab
25	753-04928	Pressure Plate (includes 23)	53	753-04094	Wire Footstand (includes 34 & 54)
26	753-04288	Palnut	54	791-182409	Washer
27	753-04823	Recoil Pulley Assembly (includes 26 & 32)	*	753-1209	Piston Ring
28	753-04907	Recoil Spring	*	753-04812	Short Block Assembly (includes 15, 39 & 43-46)
			*		not shown

PARTS LIST

BOOM AND TRIMMER PARTS - Y780
2-CYCLE GAS TRIMMER/BUSHCUTTER



Item	Part No.	Description
1	753-05175	Throttle Housing Assembly (includes 2-5)
2	753-05171	Throttle Trigger Lock-Out
3	753-05007	Throttle Trigger Spring
4	753-04991	Throttle Trigger
5	791-182405	Switch Assembly
6	753-04098	Wire Cover 1ft
7	791-160428	Cable Clamp
8	791-180858	Foam Grip & Cover
9	791-610327	Harness Clip
10	791-181808	Drive Shaft Housing Assembly
11	753-05177	Bullhorn Handle Assembly (includes 12-15)
12	791-612831	Grip
13	791-612021	Plug
14	753-04096	Adapter
15	791-182519	Anti-Rotation Screw
16	791-683295	Handle Bracket Assembly (includes 15 & 17-21)
17	791-181811	Screw
18	791-181812	Upper Handle Clamp
19	791-181813	Middle Handle Clamp
20	791-181814	Lower Handle Clamp
21	791-181815	Nut
22	753-05179	Throttle Cable
23	791-181817	Flexible Drive Shaft
24	791-182200	Shield Mount Screw Assembly
25	791-182193	2 Piece Gearbox Assembly (includes 15, 26, 28 & 41)
26	791-182195	Gear Box Screw
27	791-147492	Blade Shield/Shield Mount
28	791-182196	Blade Driver
29	791-683304	Shield Mounting Screw
30	791-683299	Shield Assembly (includes 31)
31	791-682061	Blade Assembly
32	791-147490	Retaining Washer
33	791-612483	Spool Shaft
34	791-683301	Outer Spool Assembly (includes 35)
35	791-612026	Retainer
36	791-610636B	Spring
37	791-147495	Inner Reel
38	791-180814B	Bump Head Knob Assembly
39	791-145873B	4-Tooth Blade
40	791-181699	Nut
41	753-04348	Palnut
*	791-682075B	Shoulder Harness
*	791-180014B	Blade Retaining Kit (includes 32 & 40)
*	791-613226	Locking Rod Tool

GARANTÍA LIMITADA DEL FABRICANTE PARA:



La garantía limitada establecida a continuación es dada por MTD LLC ("MTD") con respecto a mercancía nueva que sea comprada y usada en los Estados Unidos, sus posesiones y territorios.

MTD garantiza este producto contra defectos en el material y la mano de obra durante un período de dos (2) años, a partir de la fecha de compra original y a su entera opción, arreglará o substituirá, sin costo alguno, cualquier pieza cuyo material o mano de obra se considere defectuoso. Esta garantía limitada se deberá aplicar únicamente si este producto ha sido manejado y mantenido de acuerdo al Manual del Operador incluido con el producto y, si no ha sido sometido a mal uso, abuso, uso comercial, accidente, mantenimiento inapropiado, alteración, vandalismo, hurto, fuego, agua o daños debidos a otros riesgos o desastre natural. Los daños ocasionados por la instalación o el uso de cualquier accesorio o aditamento que no esté aprobado por MTD para que sea usado con el (los) producto(s) contemplados en este manual, anularán la garantía con respecto a cualquier daño resultante. Esta garantía está limitada a noventa (90) días a partir de la fecha de compra original de cualquier producto MTD que se use para alquiler o para propósitos comerciales, o cualquier otro propósito que genere ingreso.

CÓMO OBTENER SERVICIO: El servicio de garantía se encuentra disponible A TRAVÉS DE SU DISTRIBUIDOR LOCAL AUTORIZADO, AL PRESENTAR UN COMPROBANTE DE COMPRA. Para ubicar al distribuidor de su área, por favor consulte las Páginas Amarillas o contacte al Departamento de Servicio al Consumidor de MTD llame al **1-800-345-8746** o, escriba a P.O. Box 361131, Cleveland OH 44136-0019. Si está en Canadá, llame al **1-800-668-1238**. No se aceptará ningún producto que sea enviado directamente a la fábrica, a menos que haya recibido autorización previa por escrito por parte del Departamento de Servicio al Consumidor de MTD .

Esta garantía limitada no ofrece cobertura en los siguientes casos:

- A. Sincronizaciones — Bujías, ajustes de carburadores, filtros.
- B. Artículos de desgaste — Botón de tope, carretes externos, línea de corte, carretes internos, polea de arranque, cuerdas de arranque, correas motoras.
- C. MTD no le ofrece ninguna garantía a productos que sean vendidos o exportados fuera de los Estados Unidos de Norteamérica, sus posesiones y territorios, excepto aquellos que se vendan a través de los canales de distribución para exportación autorizados por MTD.

MTD se reserva el derecho a cambiar o mejorar el diseño de cualquier producto MTD, sin asumir ninguna obligación para modificar ningún producto fabricado con anterioridad.

Ninguna garantía implícita es aplicable, incluyendo cualquier garantía implícita de comerciabilidad o idoneidad para un propósito particular, después del período de la garantía expresa escrita con anterioridad, con respecto a las piezas identificadas. Ninguna otra garantía expresa dada por cualquier persona o entidad, incluyendo a los distribuidores o minoristas, bien sea escrita u oral, deberá comprometer a MTD con respecto a cualquier producto. Durante el período de la Garantía, la solución exclusiva es arreglar o cambiar el producto de la manera establecida anteriormente. (Algunos estados no permiten limitaciones en cuanto al período de duración de una garantía implícita, de manera que puede que la limitación anterior no sea aplicable para usted.)

Las estipulaciones establecidas en esta Garantía ofrecen la solución única y exclusiva que resulte de las ventas. MTD no deberá ser responsable de pérdidas o daños incidentales o consecuentes que incluyen, sin limitación, erogación de gastos debido a la sustitución de servicios de mantenimiento de prados, transporte o gastos relacionados, o gastos de alquiler para reemplazar temporalmente un producto bajo garantía. (Algunos estados no permiten limitaciones en cuanto al período de duración de una garantía implícita, de manera que puede que la limitación anterior no sea aplicable para usted.)

La recuperación de cualquier tipo no deberá ser superior al precio de compra del producto vendido en ningún caso. La alteración de las características de seguridad del producto deberá anular la garantía. Usted asume el riesgo y la obligación de la pérdida, daño o lesión en su persona o a su propiedad y / o la de otras personas y sus propiedades, que se origine a raíz del uso o mal uso, o la falta de capacidad para usar el producto.

Esta garantía limitada no deberá cubrir a ninguna otra persona distinta al comprador original, arrendatario original, o la persona para la que se compró en calidad de regalo.

Relación de las leyes estatales con esta Garantía: Esta garantía le confiere derechos legales específicos, y puede que usted también tenga otros derechos, los cuales varían en cada estado.

Para ubicar a su distribuidor de servicio más cercano, llame al **1-800-345-8746** en los Estados Unidos a al **1-800-668-1238** en Canadá.

MTD LLC

P.O. Box 361131
Cleveland, OH 44136-0019